

2.54 mm. FLAT CABLE WIRING

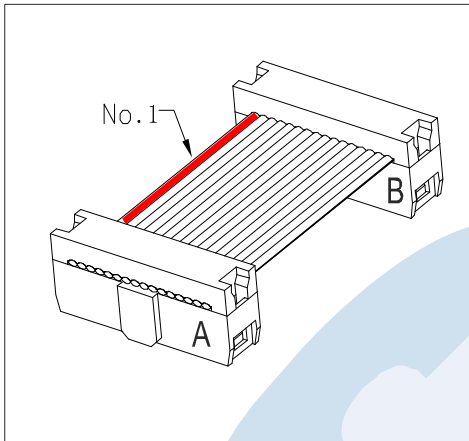


General Features

- CONECTORES: serie **5435** (enchufable)
serie **5445** (to solder on PCB)
- CABLE PLANO: Serie **9127**
- LONGITUD: cable a medida según necesidades
- Consultar opciones con el Departamento Comercial

01 CONNECTOR SERIES

- A Conector: **5435** serie
B Conector: **5435** serie
- **CABLE:** 9127 serie
- **Configuration:** 1 to 1, 2 to 2 N to N
- **Position:** Both connectors displayed in the same position
- Polarizing A connector facing outward
- Polarizing B connector facing inward



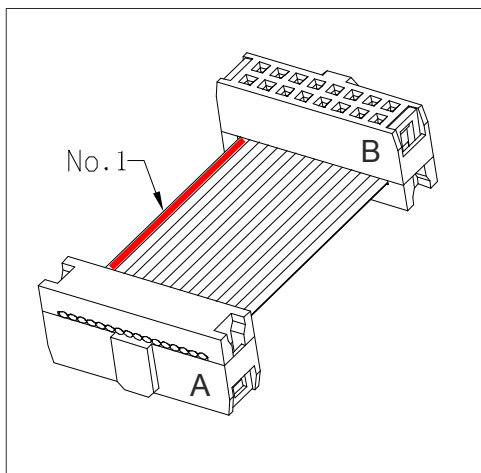
Ordering Information:

01-	LLLL-	NN
1	2	3

1. Connector Series
2. (LLLL) Length in mm.
3. (NN) Number of circuits

0A CONNECTOR SERIES

- A Conector: **5435** serie
B Conector: **5435** serie
- **CABLE:** 9127 serie
- **Configuration:** 1 to 1, 2 to 2 N to N
- **Position:** A connector facing downwards, and B Conector facing upwards
- Both polarizers facing outwards



Ordering Information:

0A-	LLLL-	NN
1	2	3

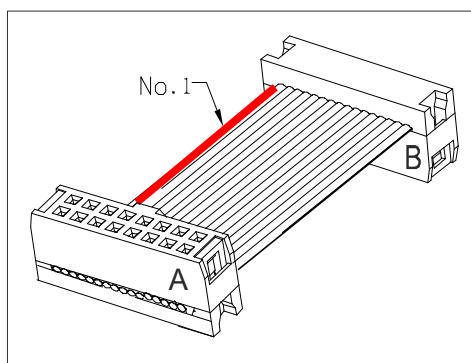
1. Connector Series
2. (LLLL) Length in mm.
3. (NN) Number of circuits

2.54 mm. FLAT CABLE WIRING



0D CONNECTOR SERIES

- A Conector: **5435** serie
B Conector: **5435** serie
- **CABLE:** 9127 serie
- **Configuración:** 1 to 1, 2 to 2 N to N
- **Posición:** Both connectors displayed in the same position
- Polarizing connector facing inward



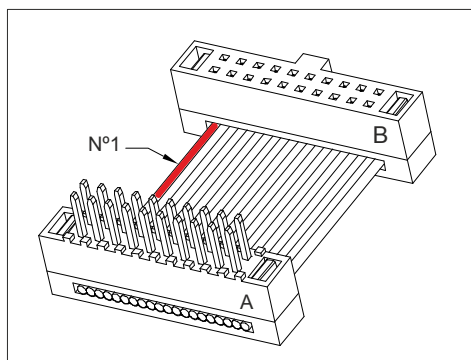
Ordering Information:

0D- **LLLL-** **NN**
1 2 3

1. Connector Series
2. (LLLL) Length in mm.
3. (NN) Number of circuits

04 CONNECTOR SERIES

- A Conector: **5445** serie
B Conector: **5435** serie
- **CABLE:** 9127 serie
- **Configuración:** 1 to 1, 2 to 2 N to N
- **Posición:** Both connectors displayed in the same position
- Polarizing A connector facing outward



Ordering Information:

04- **LLLL-** **NN**
1 2 3

1. Connector Series
2. (LLLL) Length in mm.
3. (NN) Number of circuits