

# 2.00 mm. FLAT CABLE WIRING

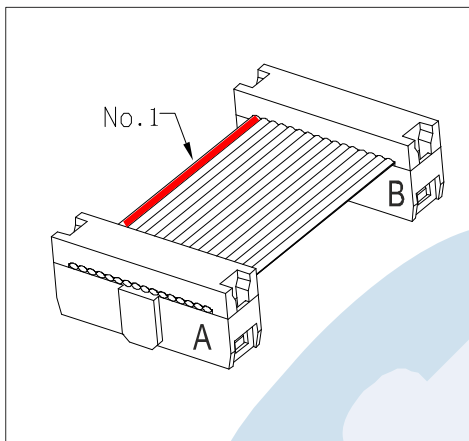


## General Features

- CONNECTORS: 2040 serie, 2039 serie (up to 10 circuits) (females) ● LENGTH: custom cable according to client needs
- 2043 serie (to solder on PCB) ● For assisted support options, contact our Sales Department
- FLAT CABLE: 9100 Serie

## 06 CONNECTOR SERIES

- A and B Connectors: 2040 (for those circuits smaller than 14, 2039 series are used)
- CABLE: 9063 serie
- Configuration: 1 to 1, 2 to 2 ..... N to N
- Position: Both connectors displayed in the same position
- Polarizing A connector facing outward
- Polarizing B connector facing inward



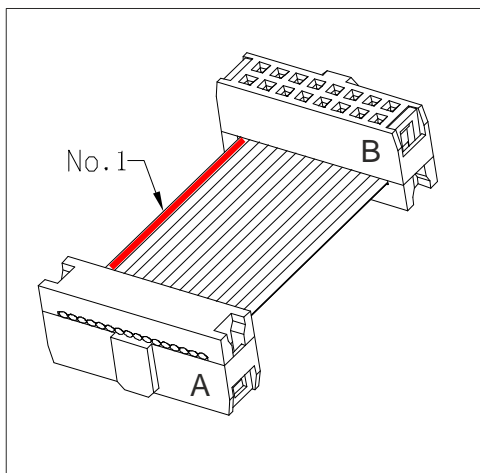
### Ordering Information:

**06-**      **LLLL-**      **NN**  
1                      2                      3

1. Connector Series
2. (LLLL) Length in mm.
3. (NN) Number of circuits

## 0B CONNECTOR SERIES

- A and B Connectors: 2040 (for those circuits smaller than 14, 2039 series are used)
- CABLE: 9100 serie
- Configuración: 1 to 1, 2 to 2 ..... N to N
- Posición: A connector facing downwards, and
- B Conector facing upwards
- Both polarizers facing outwards



### Ordering Information:

**0B-**      **LLLL-**      **NN**  
1                      2                      3

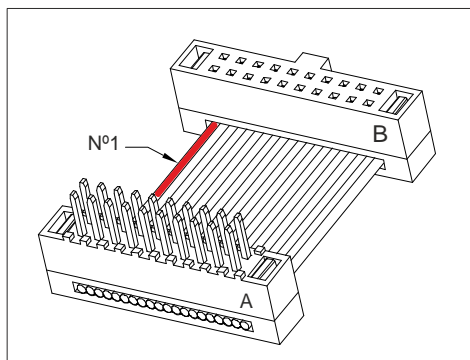
1. Connector Series
2. (LLLL) Length in mm.
3. (NN) Number of circuits

## 2.00 mm. FLAT CABLE WIRING



### 0C CONNECTOR SERIES

- **Conectors:** A Conector: 2043; B Conector: 2040  
(for those circuits smaller than 14, 2039 series are used).
- **CABLE:** 9100 serie
- **Configuration:** 1 a 1, 2 a 2 ..... N a N
- **Position:** Both connectors displayed in the same position
- **Polarizing** A connector facing outward



#### Ordering Information:

0C-      LLLL-      NN  
1                      2                      3

1. Connector Series
2. (LLLL) Length in mm.
3. (NN) Number of circuits