

2.00 mm. FLAT CABLE WIRING

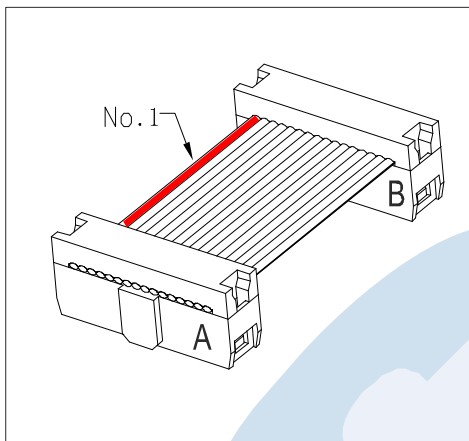


General Features

- CONNECTORS: **2040** serie, **2039** serie (up to 10 circuits) (females) ● LENGTH: custom cable according to client needs
- **2043** serie (to solder on PCB) ● For assisted support options, contact our Sales Department
- FLAT CABLE: **9100** Serie

06 CONNECTOR SERIES

- A and B Connectors: **2040** (for those circuits smaller than 14, 2039 series are used)
- **CABLE:** 9063 serie
- **Configuration:** 1 to 1, 2 to 2 N to N
- **Position:** Both connectors displayed in the same position
- Polarizing A connector facing outward
- Polarizing B connector facing inward



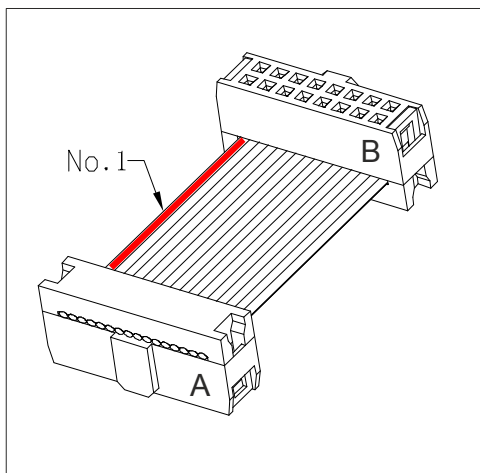
Ordering Information:

06- **LLLL-** **NN**
1 2 3

1. Connector Series
2. (LLLL) Length in mm.
3. (NN) Number of circuits

0B CONNECTOR SERIES

- A and B Connectors: **2040** (for those circuits smaller than 14, 2039 series are used)
- **CABLE:** 9100 serie
- **Configuración:** 1 to 1, 2 to 2 N to N
- **Posición:** A connector facing downwards, and
- B Connector facing upwards
- Both polarizers facing outwards



Ordering Information:

0B- **LLLL-** **NN**
1 2 3

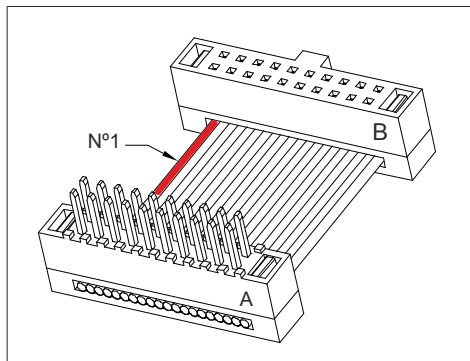
1. Connector Series
2. (LLLL) Length in mm.
3. (NN) Number of circuits

2.00 mm. FLAT CABLE WIRING



0C CONNECTOR SERIES

- Conectors: A Conector: **2043**; B Conector: **2040**
(for those circuits smaller than 14, 2039 series are used).
- **CABLE:** 9100 serie
- **Configuration:** 1 a 1, 2 a 2 N a N
- **Position:** Both connectors displayed in the same position
- Polarizing A connector facing outward



Ordering Information:

0C- LLLL- NN
1 2 3

1. Connector Series
2. (LLLL) Length in mm.
3. (NN) Number of circuits