

SINGLE ROW SMT TOP ENTRY CONNECTOR



0831 SERIE. 0.80 mm. (0.032") Pitch.

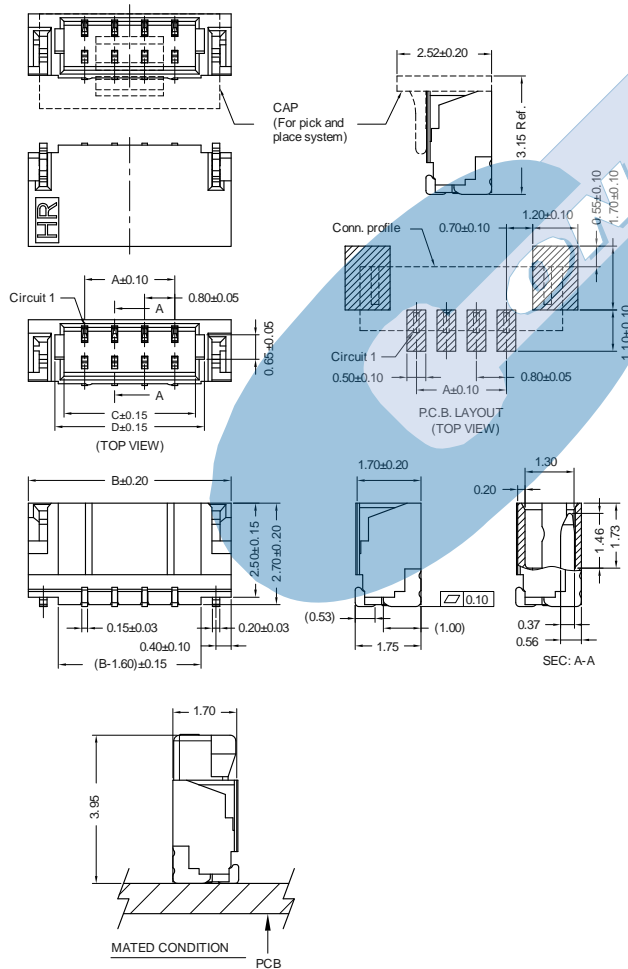
General Features

- Available in 2 through 20 circuits
- Mates with 0,80 mm pitch female connector 0830 serie
- Shrouded fin plated contacts
- Soldering tabs to fix to PCB
- Very low profile.

Materials

- Insulator: PA 9T+30% GF UL 94 V-0
- Contact: Phosphor bronze
- Operating temperature. -25°C to +85°C
- RoHS compliant

Dimension Information

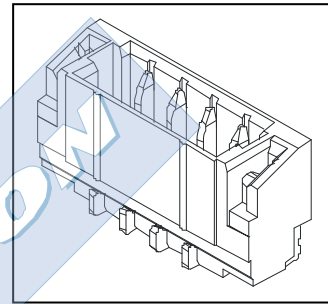


Electrical Features

- Voltage rating: < 30 V
- Current rating: < 0,5 A
- Contact resistance: < 20 mΩ
- Dielectric withstanding voltage: 200 V AC/minute
- Insulation resistance: >100 MΩ

Mechanical Features

- Durability: 25 cycles



0831 - T- XX- 1 E
1 2 3 4

1. Connector Serie

2. (T) Contacts Plating

- T = 2. Tin plated
RECOMMENDED FINISH

3. (XX) Number of circuits

- Available in 2 through 20 circuits

4. (E) Packing Options

- E = 2. Reel

Dimensions:

- A = 0.80 x (XX-1)
- B = 0.80 x (XX)+2.20
- C = 0.80 x (XX)+0.30
- D = 0.80 x (XX)+0.78

(XX) = Number of circuits