

0.30 mm. FCC/FPC SIDE ENTRY ZIF SMT CON.



0302 SERIES. 0.30mm (0.012") Pitch. Back Flip.

General Features

- Available in 11, 15, 21, 25, 31, 33, 39, 45 and 51 circuits
- Zero insertion force(ZIF) and high retention force
- Accept 0.20 mm thickness FPC
- Dual side contact and back flip. Low profile 1.00 mm.
- Easy for FPC installation and reliable operation
- With metal fixed SMT tabs to secure connector on PCB

Materials

- Body: High temperature plastic UL 94 V-0
- Slider: High temperature plastic UL 94 V-0
- Contact: Brass; Fixed tab: Brass
- Operating temperature. -40°C to + 85°C
- RoHS compliant

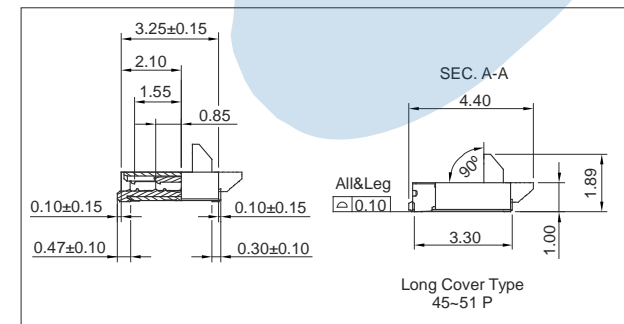
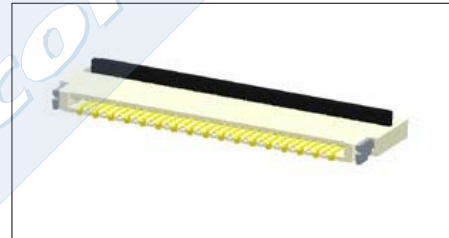
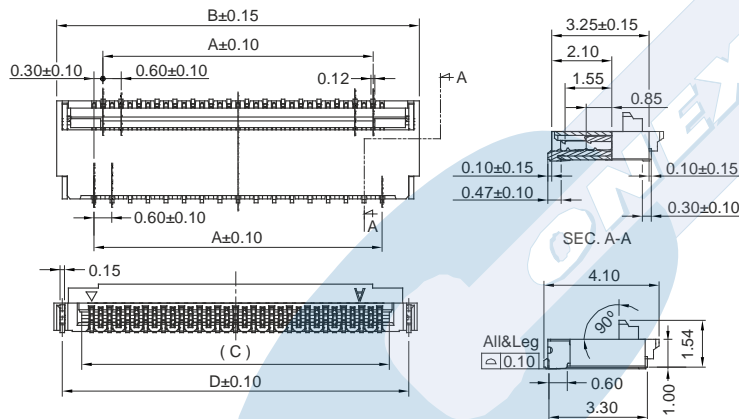
Electrical Features

- Voltage rating: < 25 V
- Current rating: < 0.20 A
- Contact resistance: < 50 mΩ
- Dielectric Withstanding Voltage: 250 V AC/minute
- Insulation Resistance: >50 MΩ

Mechanical Features

- FPC withdrawal force: <0.015 Kgf per contact
- Durability: 20 cycles

Materials



Ordering Information:

0302 - 2- XX- E
 1 2 3 4

1. Connector Series

2. (T) Contact Plating

- T = 2. Tin plated

3. (XX) Number of circuits

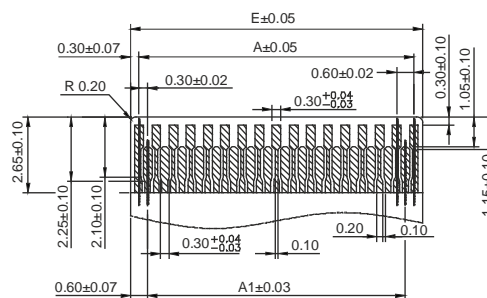
- Available in 11 through 51 circuits

4. (E) Packing Options

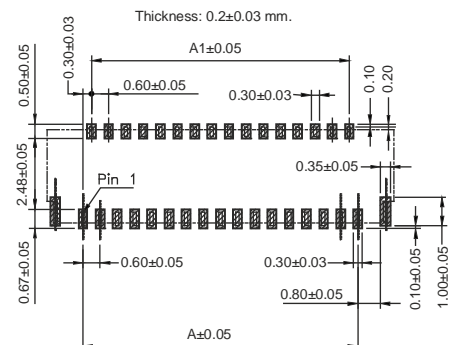
- E = 2. Reel + Pad

DIMENSIONS:

- A= 0.3 x (xx-1)
- A1= 0.3 x (xx)-0.90
- B= 0.3 x (xx) + 1.50
- C= 0.3 x (xx) + 0.33
- D= 0.3 x (xx) + 0.95
- E= 0.3 x (xx) + 0.30
- * (XX) = Circ. (23 through 51)



Recommended FPC Dimension
(Thickness: 0.2±0.03 mm.)



RECOMMENDED PCB LAYOUT