

# 1.27mm SMT PLCC SOCKET



## 8111 SERIES. Surface Mount Type

### Features

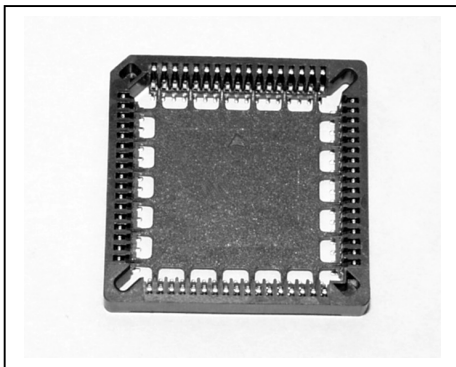
- Available in 20, 28, 32, 44, 52, 68 and 84 circuits
- Contact Material: Phosphor bronze
- Insulator Material: P.P.S. UL 94V-0
- Current rating: 1A
- Withstanding voltage: 500 V AC / 1 minute
- Applicable P.C. Board 1.60mm
- Temperature rating: -25°C to +105°C
- Contact resistance: Initial: 20mΩ max.  
After environmental test: 40mΩ max.
- Insulation resistance: Initial: 1000MΩ min.  
After humidity and thermal sock test: 500MΩ min.
- **Options:** Packing in reel

### Dimensional Information

### Ordering and Dimensional Information

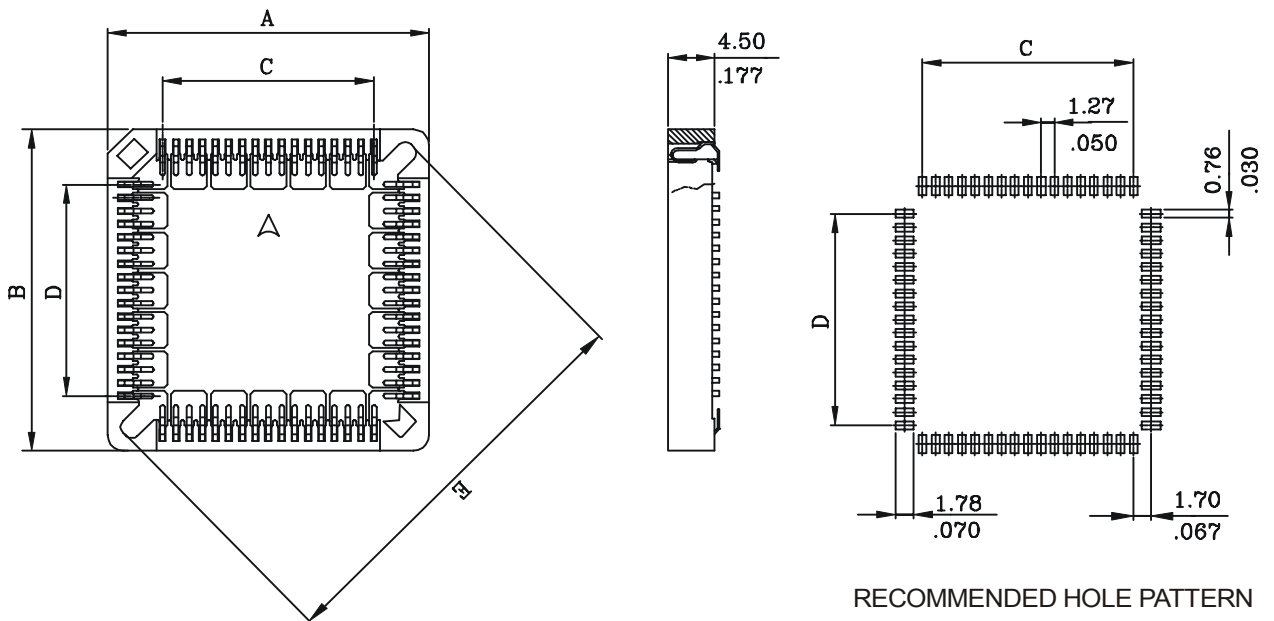
Circuit Size	Part Number		Dimensions				
	Loose Piece	Packing Reel	A ± 0.2	B ± 0.2	C ± 0.1	D ± 0.1	E ± 0.2
20	8111 - 2201	8111 - 220R	15.66 (0.617)	15.66 (0.617)	5.08 (0.200)	5.08 (0.200)	17.28 (0.680)
28	8111 - 2281	8111 - 228R	18.20 (0.717)	18.20 (0.717)	7.62 (0.300)	7.62 (0.300)	20.87 (0.822)
32	8111 - 2321	8111 - 232R	18.20 (0.717)	20.74 (0.817)	7.62 (0.300)	10.16 (0.400)	22.76 (0.897)
44	8111 - 2441	8111 - 244R	23.28 (0.917)	23.28 (0.917)	12.70 (0.500)	12.70 (0.500)	28.05 (1.104)
52	8111 - 2521	8111 - 252R	25.82 (1.017)	25.82 (1.017)	15.24 (0.600)	15.24 (0.600)	31.65 (1.246)
68	8111 - 2681	8111 - 268R	30.90 (1.217)	30.90 (1.217)	20.32 (0.800)	20.32 (0.800)	38.83 (1.529)
84	8111 - 2841	8111 - 284R	35.98 (1.417)	35.98 (1.417)	25.40 (1.000)	25.40 (1.000)	46.00 (1.811)

Unit: mm.  
Inch.



### R = Packing Options

- R = 2. 400 pcs per reel
- Other options consult the Sales Office



RECOMMENDED HOLE PATTERN