

INSULATION DISPLACEMENT D-SUB PLUG



8020 SERIES. Insulation Displacement Contact D-Sub Plug

Features

- Available in 9, 15, 25 and 37 circuits
- Insulator Material: Glass filled polyester UL 94V-0
- Contact Material: Brass
- Optional flush insert
- Applicable wire: AWG 26 to 28
- All plastic or nickel plated metal shell is available
- Standard Colour: Blue
- For other options consult the Sales Office

Dimensional Information

Ordering and Dimensional Information

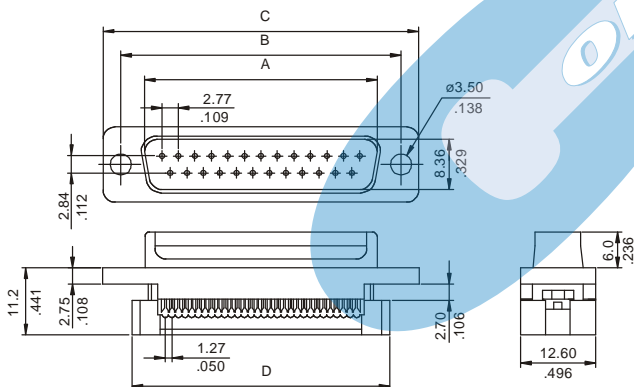
Circuit Size	Part Number			Dimensions				
	Plastic Type	Metal Shell + Nut	Metal Shell	A	B	C	D	E
09	8020- T091	8020- T092	8020- T093	16.92 (0.666)	24.99 (0.984)	30.90 (1.217)	21.80 (0.858)	12.08 (0.476)
15	8020- T151	8020- T152	8020- T153	25.25 (0.994)	33.32 (1.312)	39.20 (1.543)	29.60 (1.165)	19.70 (0.776)
25	8020- T251	8020- T252	8020- T253	38.96 (1.534)	47.04 (1.852)	53.10 (2.091)	43.30 (1.705)	32.40 (1.276)
37	8020- T371	8020- T372	8020- T373	55.60 (2.189)	63.50 (2.500)	69.50 (2.736)	59.90 (2.358)	47.72 (1.879)

(NOTICE). For other Circuit Size consult the Sales Office

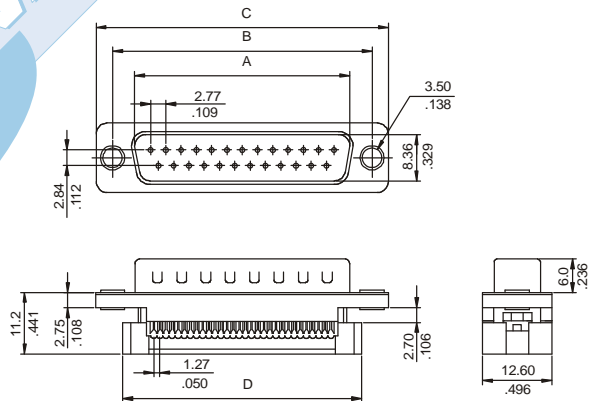
T = Contact Plating

- T = 2. Tin plated
- T = 3. Gold flash over 50µ" nickel
Recommended Finish
- T = 5. 15µ" gold over 50µ" nickel
- T = 6. 30µ" gold over 50µ" nickel

Plastic type



Metal Type



Strain relief

