

MINI-SIZE CONNECTOR



5433 SERIES. 2.54 x 1.50mm (0.100 x 0.060"). Male On Wire Type

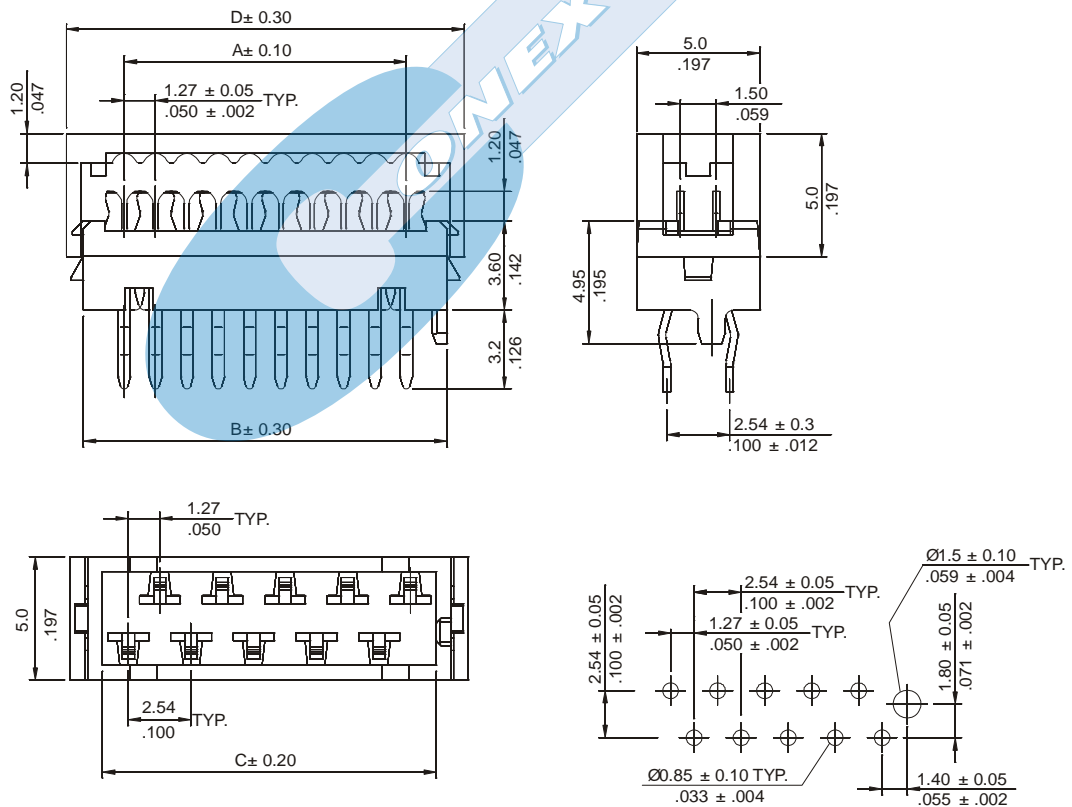
Features

- Available in 4 to 26 circuits
- contact Material: Phosphor bronze
- Insulator Material: Polyester UL 94V-0
- Accepts 1.27mm (0.050") center spacing flat
- Cable insulator O.D. 0.85 mm. diameter
- AWG #28(7/0.127mm.)
- Operating Temperature: -40°C to +105°C
- Current Rating: 1A DC

Dimensional Information

Ordering and Dimensional Information

Circuit Size	Part Number	Dimensions			
		A	B	C	D
4	5433-2041	3,81(0,150)	7,11(0,280)	5,91(0,233)	8,51(0,335)
6	5433-2061	6,35(0,250)	9,65(0,380)	8,45(0,333)	11,05(0,435)
8	5433-2081	8,89(0,350)	12,19(0,480)	10,99(0,433)	13,59(0,535)
10	5433-2101	11,43(0,450)	14,73(0,580)	13,53(0,533)	16,13(0,635)
12	5433-2121	13,97(0,550)	17,27(0,680)	16,07(0,633)	18,67(0,735)
14	5433-2141	16,51(0,650)	19,81(0,780)	18,61(0,733)	21,21(0,835)
16	5433-2161	19,05(0,750)	22,35(0,880)	21,15(0,833)	23,75(0,935)
18	5433-2181	21,59(0,850)	24,89(0,980)	23,69(0,933)	26,29(1,035)
20	5433-2201	24,13(0,950)	27,43(1,080)	26,23(1,033)	28,83(1,135)
22	5433-2221	26,67(1,050)	29,97(1,180)	28,77(1,133)	31,37(1,235)
24	5433-2241	29,21(1,150)	32,51(1,280)	31,31(1,233)	33,91(1,335)
26	5433-2261	31,75(1,250)	35,05(1,380)	33,85(1,333)	36,45(1,435)



Recommended P.C. Board Layout