

# 2.00mm STRAIGHT SHROUDED HEADER

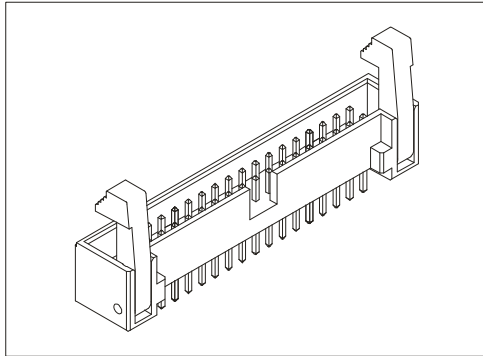


## 4439 SERIES. 2.00 x 2.00 mm. (0.079 x 0.079"). With Eject Latch Levers

### Features

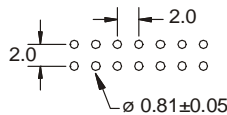
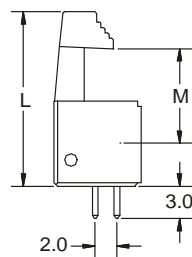
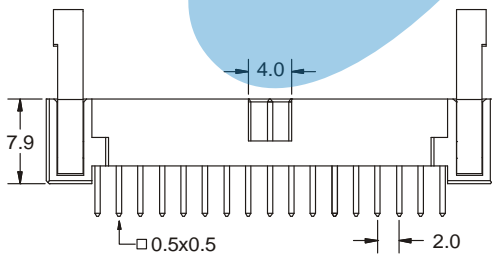
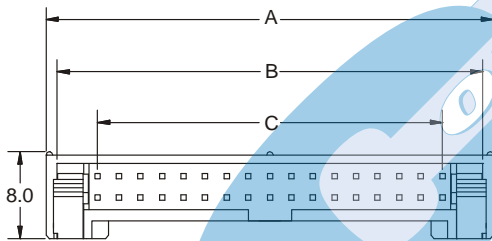
- Available in 10, 12, 14, 16, 20, 22, 24, 26, 30, 34, 40, 44, 48, 50 and 68 circuits
- Insulator Material: P.B.T UL 94V-0
- Contact Material: 0.50 mm square pin in copper alloy
- Mates with 2039 and 2040 series I.D.C connector
- Short and long latches available
- Fully shrouded. Provides fast connection / disconnection of Flat cable assembly

### Dimensional Information



### Ordering and Dimensional Information

Circuit Size	Part Number	Dimensions		
		A	B	C
10	4439-T10B	17.50 (0.689)	15.50 (0.610)	8,00 (0,315)
12	4439-T12B	19.50 (0.768)	17.50 (0.689)	10,00 (0,394)
14	4439-T14B	21.50 (0.846)	19.50 (0.768)	12,00 (0,472)
16	4439-T16B	23.50 (0.925)	21.50 (0.846)	14,00 (0,551)
20	4439-T20B	27.50 (1.082)	25.50 (1.003)	18,00 (0,709)
22	4439-T22B	29.50 (1.161)	27.50 (1.082)	20,00 (0,787)
24	4439-T24B	31.50 (1.240)	29.50 (1.161)	22,00 (0,866)
26	4439-T26B	33.50 (1.319)	31.50 (1.240)	24,00 (0,945)
30	4439-T30B	37.50 (1.476)	35.50 (1.397)	28,00 (1,102)
34	4439-T34B	41.50 (1.633)	39.50 (1.555)	32,00 (1,260)
40	4439-T40B	47.50 (1.870)	45.50 (1.791)	38,00 (1,496)
44	4439-T44B	51.50 (2.027)	49.50 (1.949)	42,00 (1,654)
48	4439-T48B	55.50 (2.185)	53.50 (2.106)	46,00 (1,811)
50	4439-T50B	57.50 (2.263)	55.50 (2.185)	48,00 (1,890)
68	4439-T68B	75.50 (2.972)	73.50 (2.894)	66,00 (2,598)



RECOMMENDED HOLE PATTERN

### T = Contact Plating

- T = 2. Tin plated.
- T = 3. Gold flash over 50µ" nickel  
Recommended Finish
- T = 5. 15µ" gold over 50µ" nickel
- T = 6. 30µ" gold over 50µ" nickel

### X = Latch type

- X = 1. Short. For use without strain relief
- X = 2. Long. For use with strain relief

Latch Type	L	M
Long	19.0	11.6
Short	16.2	8.8