

FEMALE HEADER FOR FLAT CABLE

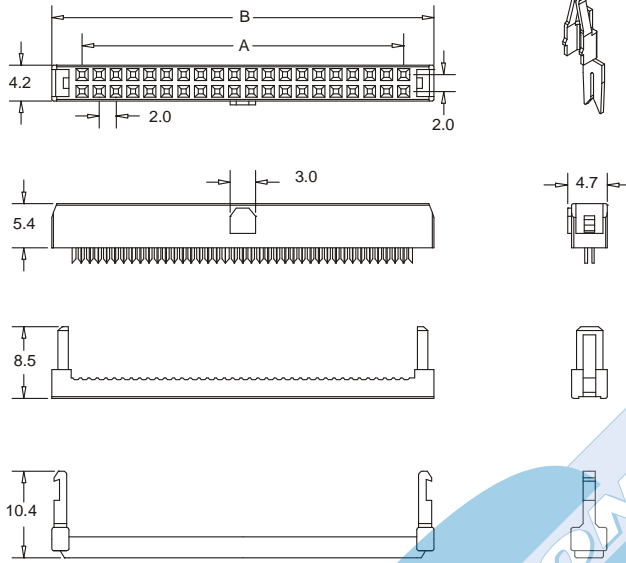


2039 SERIE. 2.00 x 2.00 mm. (0.079 x 0.079"). Insulator displacement

Features

- Available in 8, 10, 12, 14, 16, 20, 22, 26, 30, 34, 40, 44, 50 and 68 circuits
- Mates with 4439, 4440, 4443, 4446, 4447, 4451, 4452 and 4453 serie or dual row 2.00 x 2.00 mm
- Golden and phosphor bronze terminal
- Insulator material: PBT UL 94V-0
- Optional: strain relief **2039 - 00XX**
- Accepts 9100 serie 1.00 mm flat ribbon cable
- Standard model with polarisation pivot

Dimensional information:



strain relief (2039 - 00XX)
XX = N° circuits

Ordering and dimensional information:

Circuit Size	Part Number	Dimensions	
		A	B
08	2039-T081	6.00 (0.236)	13.10 (0.516)
10	2039-T101	8.00 (0.315)	15.10 (0.594)
12	2039-T121	10.00 (0.394)	17.10 (0.673)
14	2039-T141	12.00(0.472)	19.10(0.751)
16	2039-T161	14,00(0.551)	21.10 (0.830)
20	2039-T201	18,00(0.709)	25,10(0.988)
22	2039-T221	20.00 (0.787)	27.10 (1.067)
26	2039-T261	24,00(0.945)	31,10(1.224)
30	2039-T301	28,00(1,102)	35.10 (1.382)
34	2039-T341	32,00(1,260)	39,10(1.461)
40	2039-T401	38.00 (1.496)	41.10 (1.618)
44	2039-T441	42,00(1,654)	49,10(1.933)
50	2039-T501	48,00(1,890)	55,10(2.170)
68	2039-T681	66.00(2.598)	73.10(2.878)

T = Contact Plating

- T = 2. Tin plated
- T = 3. Gold flash over 50µ" nickel.
Recommended Finish
- T = 5. 15µ" gold over 50µ" nickel
- T = 6. 30µ" gold over 50µ" nickel

