

FEMALE HEADER FOR FLAT CABLE

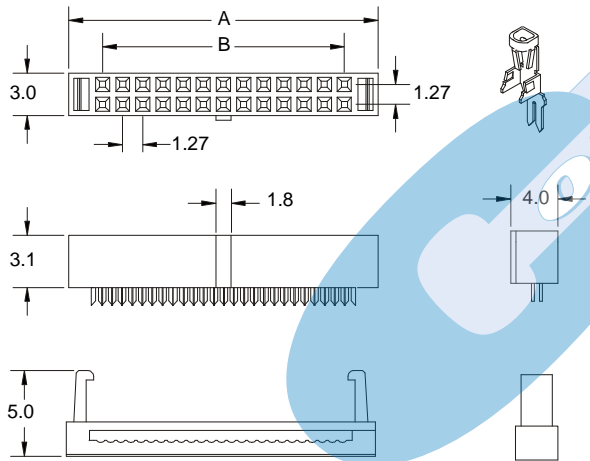


1341 SERIES. 1.27 x 1.27 mm. (0.050 x 0.050").

Features

- Available in 10, 12, 14, 16, 20, 22, 26, 30, 34, 40, 44 and 50 circuits
- Mates with male headers 1.27 x 1.27 mm. 0.40 x 0.40 mm 1342, 1343, 1344, 1345, 1346 and 1347 series
- Insulator material: glass filled polyester UL 94V-0
- Contact: Beryllium Copper with different plating options
- Dielectric rigidity: 250V AC / 1 minute
- Flat cable 0.635 mm assembly 9063 and 9064 series

Dimensional information:



Ordering and dimensional information:

Circuit Size	Part Number	Dimensions	
		A	B
10	1341 - T100	10.50 (0.413)	5.08 (0.200)
12	1341 - T120	11.80 (0.464)	6.35 (0.250)
14	1341 - T140	13.10 (0.515)	7.62 (0.300)
16	1341 - T160	14.30 (0.563)	8.89 (0.350)
20	1341 - T200	16.90 (0.665)	11.43 (0.450)
22	1341 - T220	18.10 (0.712)	12.70 (0.500)
26	1341 - T260	20.70 (0.815)	15.24 (0.600)
30	1341 - T300	23.30 (0.917)	17.78 (0.700)
34	1341 - T340	25.80 (1.015)	20.32 (0.800)
40	1341 - T400	29.60 (1.165)	24.13 (0.950)
44	1341 - T440	32.10 (1.264)	26.67 (1.050)
50	1341 - T500	35.90 (1.413)	30.48 (1.200)

T = Contact Plating

- T = 2. Tin plated
- T = 3. Gold flash over 50µ" nickel.
Recommended Finish
- T = 5. 15µ" gold over 50µ" nickel
- T = 6. 30µ" gold over 50µ" nickel