

# 2.00mm PLUG & RECEPTACLE CONNECTOR



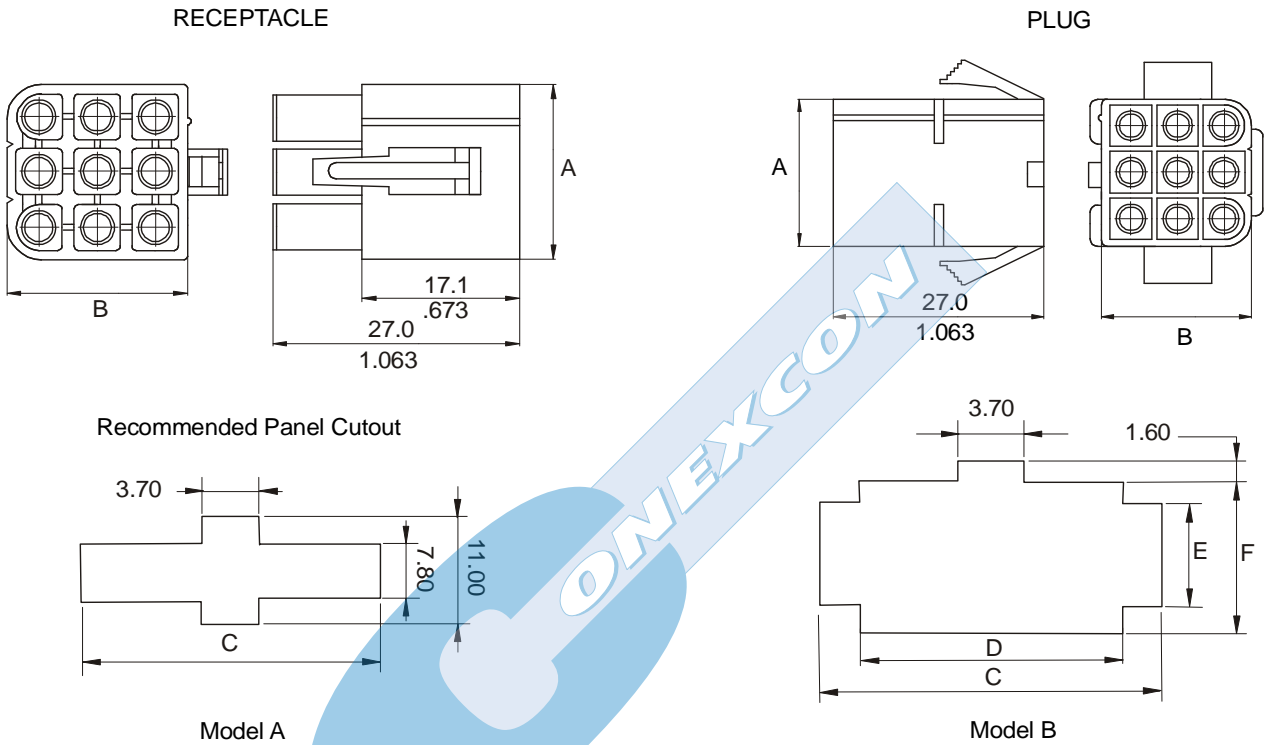
## 6700 SERIES. For Panel Mounted and Free Hanging.

### Features

- Available in 1, 2, 3, 4, 6, 9, 12 and 15 circuits
- Integrally moulded mounting ears
- Material: Nylon UL 94 V-2, Colour: Natural
- 6.20mm centre spacing wire to wire connector
- Mates with 6701, 6702, 6703 and 6704 crimp terminals
- Positive housing lock for secure mating retention
- For free hanging or panel mounted

### Dimensional Information

### Ordering and Dimensional Information



### RECEPTACLE

Circuit Size	Model	Part Number		Dimensions					
		With Ears	Without Ears	A	B	C	D	E	F
1	-	-	6700 - 1011	7.0	7.0	-	-	-	-
2	-	-	6700 - 1021	13.4	7.2	-	-	-	-
3	-	-	6700 - 1031	19.6	7.2	-	-	-	-
4*	-	-	6700 - 1041	13.4	13.4	-	-	-	-
6	-	-	6700 - 1061	19.6	13.4	-	-	-	-
9	-	-	6700 - 1091	19.6	19.6	-	-	-	-
12	-	-	6700 - 1121	25.8	19.6	-	-	-	-
15	-	-	6700 - 1151	32.0	19.6	-	-	-	-

### PLUG

Circuit Size	Model	Part Number		Dimensions					
		With Ears	Without Ears	A	B	C	D	E	F
1	-	-	6700 - 2012	7.0	7.0	-	-	-	-
2	A	6700 - 2021	6700 - 2022	13.4	7.2	18.8	-	7.8	11.0
3	A	6700 - 2031	6700 - 2032	19.6	7.2	25.0	-	7.8	11.0
4*	B	6700 - 2041	6700 - 2042	13.4	13.4	18.8	13.8	9.4	14.1
6	B	6700 - 2061	6700 - 2062	19.6	13.4	25.0	20.0	9.4	14.1
9	B	6700 - 2091	6700 - 2092	19.6	19.6	25.0	20.0	9.4	20.3
12	B	6700 - 2121	6700 - 2122	25.8	19.6	31.2	26.2	12.8	20.3
15	B	6700 - 2151	6700 - 2152	32.0	19.6	37.4	32.4	12.8	20.3

\* Square distribution circuits