

MICRO POWER CONNECTORES



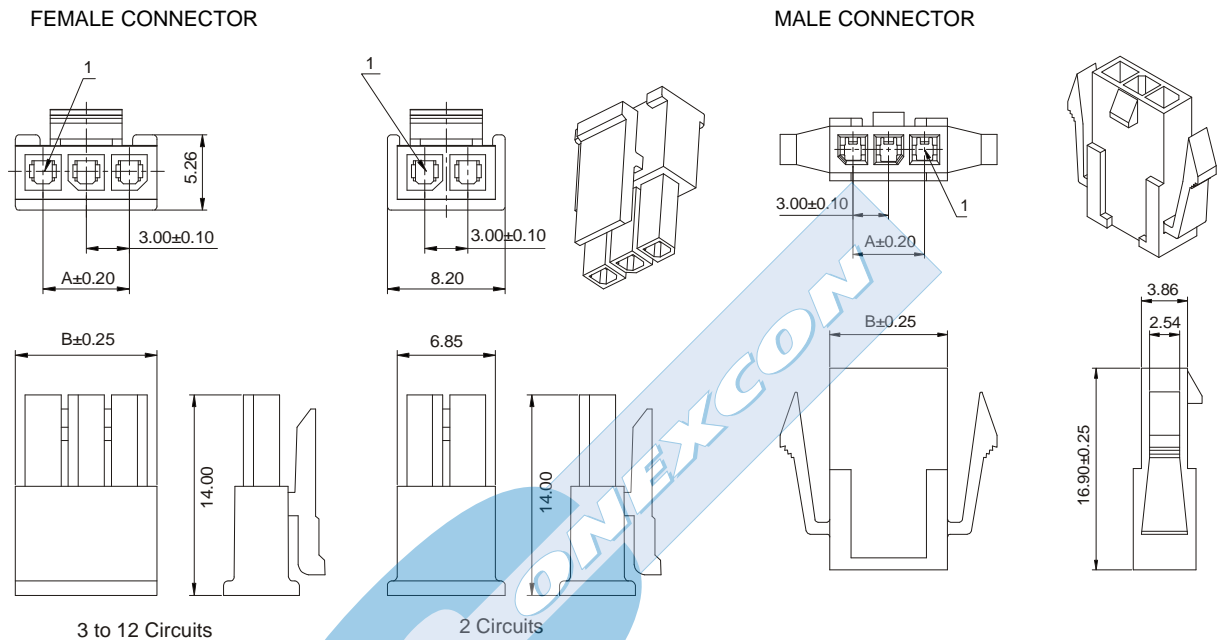
5750 SERIES. High density. Pitch 3.00 mm. (0.118").

Features

- Available in 2 to 12 circuits
- Available with and without mounting pegs
- Insulator Material: Nylon 6/6; UL 94V-0
- For connecting cable to cable and cable to panel
- Mates with sockets 5751 and 5752 series
- To be used with terminals 5741 and 5742
- Positive lock
- Distance between circuits 3.00 mm.
- Max. Current rating: 5 A.

Dimensional Information

Ordering and Dimensional Information



FEMALE CONNECTORS

Circuits	Max. Current Amper	Max. Voltage	Part Number	Dimensions			
				A	B	C	D
2	5	250	5750 - 1021	3.00 (0.118)	6.90 (0.272)	-	-
3	5	250	5750 - 1031	6.00 (0.236)	9.90 (0.390)	-	-
4	5	250	5750 - 1041	9.00 (0.354)	12.90 (0.508)	-	-
5	5	250	5750 - 1051	12.00 (0.472)	15.90 (0.626)	-	-
6	5	250	5750 - 1061	15.00 (0.591)	18.90 (0.744)	-	-
7	5	250	5750 - 1071	18.00 (0.709)	21.90 (0.862)	-	-
8	5	250	5750 - 1081	21.00 (0.827)	24.90 (0.980)	-	-
9	5	250	5750 - 1091	24.00 (0.945)	27.90 (1.098)	-	-
10	5	250	5750 - 1101	27.00 (1.063)	30.90 (1.217)	-	-
11	5	250	5750 - 1111	30.00 (1.181)	33.90 (1.335)	-	-
12	5	250	5750 - 1121	33.00 (1.300)	36.90 (1.452)	-	-

MALE CONNECTORS

Circuits	Max. Current Amper	Max. Voltage	Part Number	Dimensions			
				A	B	C	D
2	5	250	5750 - 2021	3.00 (0.118)	6.90 (0.272)	-	-
3	5	250	5750 - 2031	6.00 (0.236)	9.90 (0.390)	-	-
4	5	250	5750 - 2041	9.00 (0.354)	12.90 (0.508)	-	-
5	5	250	5750 - 2051	12.00 (0.472)	15.90 (0.626)	-	-
6	5	250	5750 - 2061	15.00 (0.591)	18.90 (0.744)	-	-
7	5	250	5750 - 2071	18.00 (0.709)	21.90 (0.862)	-	-
8	5	250	5750 - 2081	21.00 (0.827)	24.90 (0.980)	-	-
9	5	250	5750 - 2091	24.00 (0.945)	27.90 (1.098)	-	-
10	5	250	5750 - 2101	27.00 (1.063)	30.90 (1.217)	-	-
11	5	250	5750 - 2111	30.00 (1.181)	33.90 (1.335)	-	-
12	5	250	5750 - 2121	33.00 (1.300)	36.90 (1.452)	-	-