

3.00mm MICRO POWER CONNECTOR



5740 SERIES. For High Current / High Density

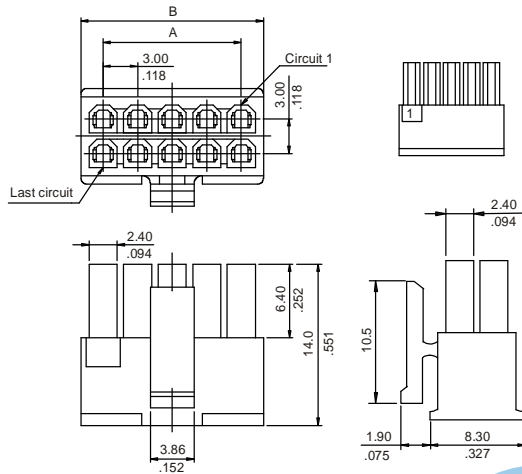
Features

- Available in 2 through 24 circuits
- Positive housing lock for secure mating retention
- Material: PBT UL 94 V-0
- For free hanging or panel mounted
- Mates with 5741 and 5742 series terminals
- 3.00mm Centre spacing wire to wire.
- Low engagement force terminals
- Current Rating: 5 A max.

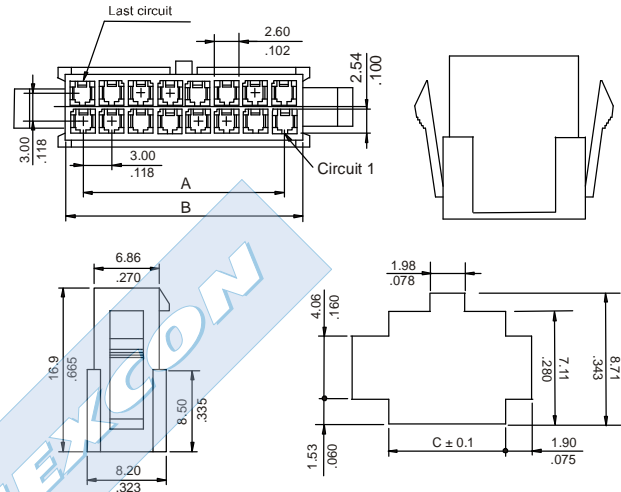
Dimensional Information

Ordering and Dimensional Information

RECEPTACLE CONNECTOR



PLUG CONNECTOR



RECOMMENDED PANEL CUT-OUT

RECEPTACLE

Circuit Size	Current Rating Amps	Voltage	Part Number	Dimensions			
				A	B	C	D
2	5	250	5740 - 1021	-	3.90 (0.154)	-	-
4	5	250	5740 - 1041	3.00 (0.118)	6.90 (0.272)	-	-
6	5	250	5740 - 1061	6.00 (0.236)	9.90 (0.390)	-	-
8	5	250	5740 - 1081	9.00 (0.354)	12.90 (0.508)	-	-
10	5	250	5740 - 1101	12.00 (0.472)	15.90 (0.626)	-	-
12	5	250	5740 - 1121	15.00 (0.591)	18.90 (0.744)	-	-
14	5	250	5740 - 1141	18.00 (0.709)	21.90 (0.862)	-	-
16	5	250	5740 - 1161	21.00 (0.827)	24.90 (0.980)	-	-
18	5	250	5740 - 1181	24.00 (0.945)	27.90 (1.098)	-	-
20	5	250	5740 - 1201	27.00 (1.063)	30.90 (1.217)	-	-
22	5	250	5740 - 1221	30.00 (1.181)	33.90 (1.335)	-	-
24	5	250	5740 - 1241	33.00 (1.299)	36.90 (1.453)	-	-

PLUG

Circuit Size	Current Rating Amps	Voltage	Part Number	Dimensions			
				A	B	C	D
2	5	250	5740 - 2021	-	3.90 (0.154)	4.09 (0.161)	-
4	5	250	5740 - 2041	3.00 (0.118)	6.90 (0.272)	7.09 (0.279)	-
6	5	250	5740 - 2061	6.00 (0.236)	9.90 (0.390)	10.08 (0.397)	-
8	5	250	5740 - 2081	9.00 (0.354)	12.90 (0.508)	13.08 (0.515)	-
10	5	250	5740 - 2101	12.00 (0.472)	15.90 (0.626)	16.06 (0.633)	-
12	5	250	5740 - 2121	15.00 (0.591)	18.90 (0.744)	19.08 (0.751)	-
14	5	250	5740 - 2141	18.00 (0.709)	21.90 (0.862)	22.07 (0.869)	-
16	5	250	5740 - 2161	21.00 (0.827)	24.90 (0.980)	25.07 (0.967)	-
18	5	250	5740 - 2181	24.00 (0.945)	27.90 (1.098)	26.07 (1.105)	-
20	5	250	5740 - 2201	27.00 (1.063)	30.90 (1.217)	31.06 (1.223)	-
22	5	250	5740 - 2221	30.00 (1.181)	33.90 (1.335)	34.06 (1.341)	-
24	5	250	5740 - 2241	33.00 (1.299)	36.90 (1.453)	37.06 (1.459)	-