

CRIMP TERMINAL (AWG 22-28)



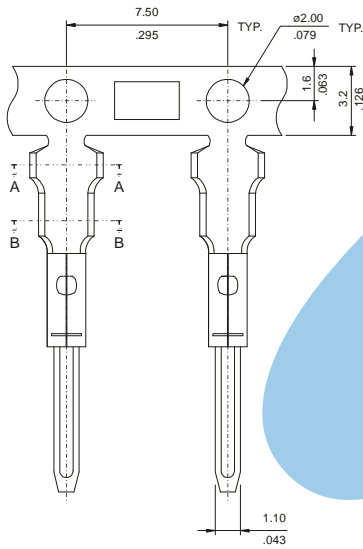
5713 SERIES. 2.50mm(0.059"). Crimp Terminal.

Features

- Lateral Carrier
- Material: Tin-plated brass
- Current Rating: 3 A maximum
- Mates with 5700 series male housing
- Wire Ranges: AWG 22-28

Ordering and Dimensional Information

Ordering and Dimensional Information



Reel Quantity	Part Number	Material	Wire Ranges	Insulation Diameter
7,000 PCs (Reel)	5713 - 2000	Brass Tin plated	AWG 22 - 28	1.80 (0.071") Max.
Loose Piece	5713- 2001	Brass Tin plated	AWG 22 - 28	1.80 (0.071") Max.

