

# ASYMMETRIC TELEPHONIC PLUG FCC-68

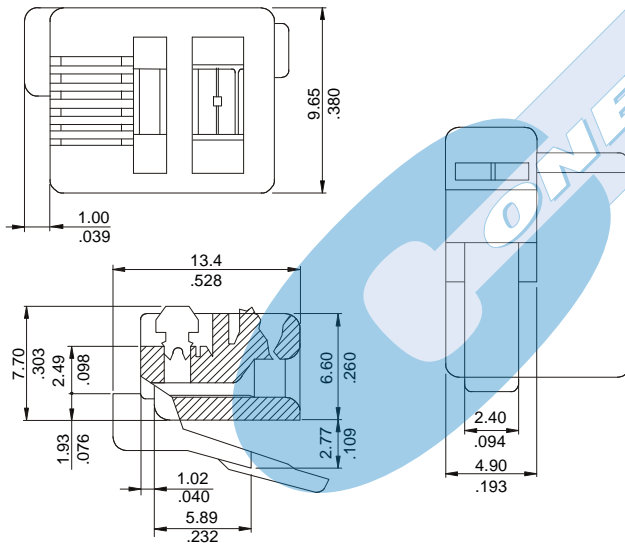


## 6867 SERIES. Telephonic Plug

### Features

- Available in 6/2, 6/4 and 6/6 circuits
- Insulator Material: Polycarbonate UL 94V-0
- Contact Material: Phosphor bronze
- Mates with FCC-68 offset jacks
- Insulation pierce termination
- Available for different cable type
- Contact resistance: 20 mΩ, 2 A
- Insulation Resistance: 10 MΩ, 500 VAC

### Dimensional Information



### Ordering and Dimensional Information

No. Of Positions	Part Number	
	Tinsel /Copper	Rigid Wire
6/2	6867 - T621	6867 - T625
6/4	6867 - T641	6867 - T645
6/6	6867 - T661	6867 - T665

### T = Contact Plating

- T = 4. 6μ" gold over 50μ" nickel
- T = 5. 15μ" gold over 50μ" nickel
- T = 6. 30μ" gold over 50μ" nickel
- T = 7. 50μ" gold over 50μ" nickel