

STRAIGHT DIP SOLDER PCB RECPTABLE



8157 SERIES. For PCB Solder.

Features

- Available in 14, 20, 26, 36, 50 and 68 circuits
- Insulator Material: Thermoplastic with fibre glass; UL 94V-0
- Contact Material : Phosphor Bronze
- Available in different plating options
- Ribbon contact design
- Excellent shielding properties EMI/ ESD protection
- Stable by hex screw lock
- Shell: Cold rolled steel; nickel plated
- For electric equipments of high reliability and high density packaging
- Staggered 4 rows of 2,54 mm (0,100"), spacing with row to row distance of 1,905 mm (0,075")
- Mates with 8150 and 8151 series.
- Easy to use latching system (One-Touch-Lock)
- For further advices, please contact our Sales Department

Dimensional Information

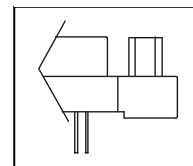
Ordering and Dimensional Information

CIRCUITS	Part Number		DIMENSIONS					
	With Clip	With Nut	A	B	C	D	E	F
14	8157 – T014	8157 – T0145	29.60	23.64	12.63	17.08	7.65	5.30±0.15
20	8157 – T020	8157 – T0205	33.40	27.44	16.44	20.60	11.43	
26	8157 – T026	8157 – T0265	37.20	31.20	20.25	24.70	15.24	4.75±0.15
36	8157 – T036	8157 – T0365	43.50	37.60	26.60	31.00	21.60	
50	8157 – T050	8157 – T0505	52.60	46.80	35.40	40.10	30.48	
68	8157 – T068	8157 – T0685	64.00	57.90	46.90	51.00	41.91	

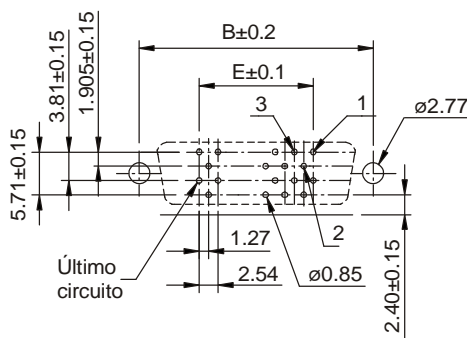
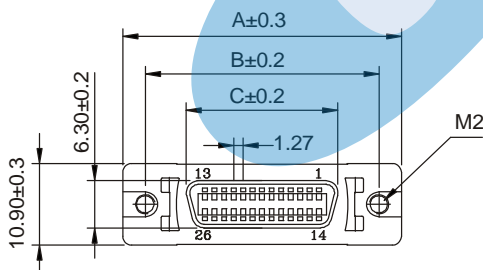
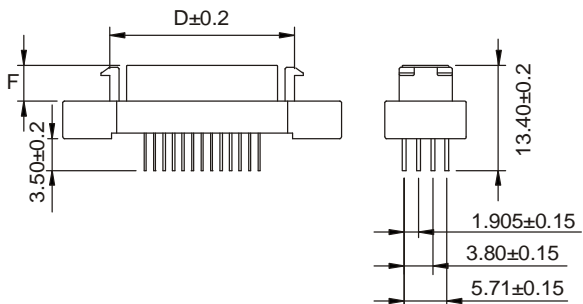
T = Plating of the Pins

- T = 3. Gold flash over 1.27 μ Ni.
- T = 4. 0.25 μ Gold over 1.27 μ Ni.
- T = 5. 0.50 μ Gold over 1.27 μ Ni.
- T = 6. 0.75 μ Gold over 1.27 μ Ni.

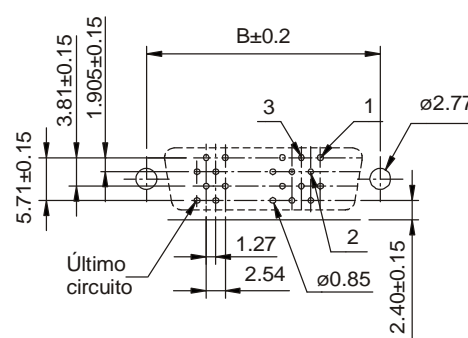
Version with Nut



Version with Clip



MECANIZADO RECOMENDADO
(14, 26 y 50 circuitos)



MECANIZADO RECOMENDADO
(20, 36 y 68 circuitos)