

1.00mm VERTICAL DIP LIF CONNECTOR



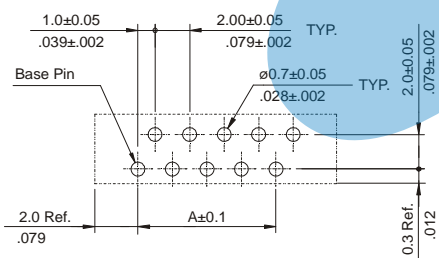
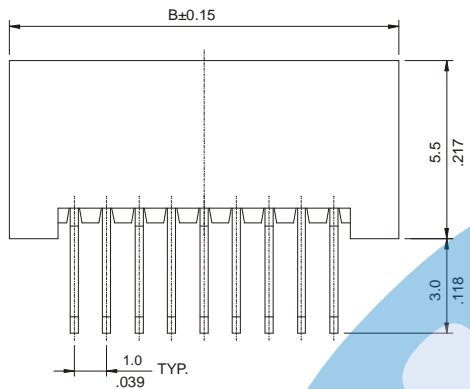
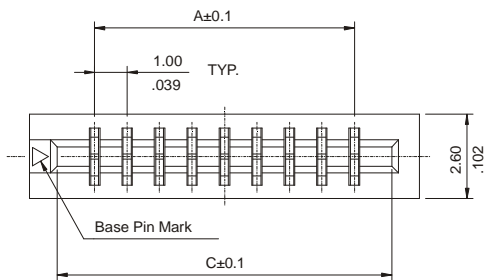
2136 SERIES. 1.00mm(0.039"). For PCB Solder

Features

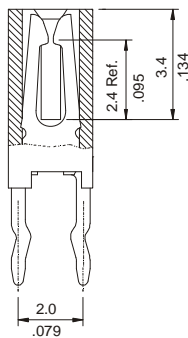
- Available in 4 through 32 circuits
- Insulator Material: Glass filled nylon 6-T UL 94V-0
- Contact Material: Dual contact in phosphor bronze
- Tin-lead plated contact with kink tail
- Low insertion force
- Accommodated 0.30mm FFC/FPC thickness

Dimensional Information

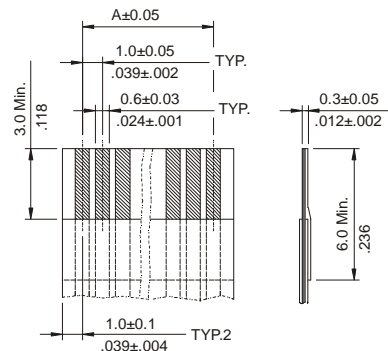
Ordering and Dimensional Information



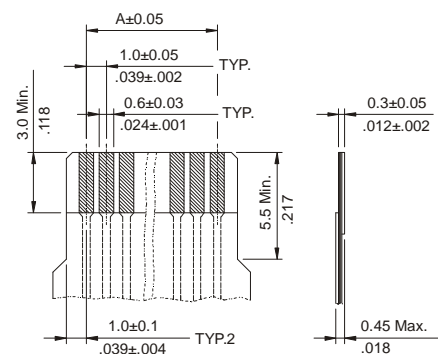
RECOMMENDED HOLE PATTERN



Circuit Size	Part Number	Dimensions		
		A	B	C
04	2136-2041	3,00(0,118)	7,00(0,276)	5,30(0,209)
05	2136-2051	4,00(0,157)	8,00(0,315)	6,30(0,248)
06	2136-2061	5,00(0,197)	9,00(0,354)	7,30(0,287)
07	2136-2071	6,00(0,236)	10,00(0,394)	8,30(0,327)
08	2136-2081	7,00(0,276)	11,00(0,433)	9,30(0,366)
09	2136-2091	8,00(0,315)	12,00(0,472)	10,30(0,406)
10	2136-2101	9,00(0,354)	13,00(0,512)	11,30(0,445)
11	2136-2111	10,00(0,394)	14,00(0,551)	12,30(0,484)
12	2136-2121	11,00(0,433)	15,00(0,591)	13,30(0,524)
13	2136-2131	12,00(0,472)	16,00(0,630)	14,30(0,563)
14	2136-2141	13,00(0,512)	17,00(0,669)	15,30(0,602)
15	2136-2151	14,00(0,551)	18,00(0,709)	16,30(0,642)
16	2136-2161	15,00(0,591)	19,00(0,748)	17,30(0,681)
17	2136-2171	16,00(0,630)	20,00(0,787)	18,30(0,720)
18	2136-2181	17,00(0,669)	21,00(0,827)	19,30(0,760)
19	2136-2191	18,00(0,709)	22,00(0,866)	20,30(0,799)
20	2136-2201	19,00(0,748)	23,00(0,906)	21,30(0,839)
21	2136-2211	20,00(0,787)	24,00(0,945)	22,30(0,878)
22	2136-2221	21,00(0,827)	25,00(0,984)	23,30(0,917)
23	2136-2231	22,00(0,866)	26,00(1,024)	24,30(0,957)
24	2136-2241	23,00(0,906)	27,00(1,063)	25,30(0,996)
25	2136-2251	24,00(0,945)	28,00(1,102)	26,30(1,035)
26	2136-2261	25,00(0,984)	29,00(1,142)	27,30(1,075)
27	2136-2271	26,00(1,024)	30,00(1,181)	28,30(1,114)
28	2136-2281	27,00(1,063)	31,00(1,220)	29,30(1,154)
29	2136-2291	28,00(1,102)	32,00(1,260)	30,30(1,193)
30	2136-2301	29,00(1,142)	33,00(1,300)	31,30(1,232)
31	2136-2311	30,00(1,181)	34,00(1,338)	32,30(1,272)
32	2136-2321	31,00(1,220)	35,00(1,378)	33,30(1,311)



Accommodated FFC



Accommodated FPC