

# DIN 41612 EUROCARD CONNECTOR

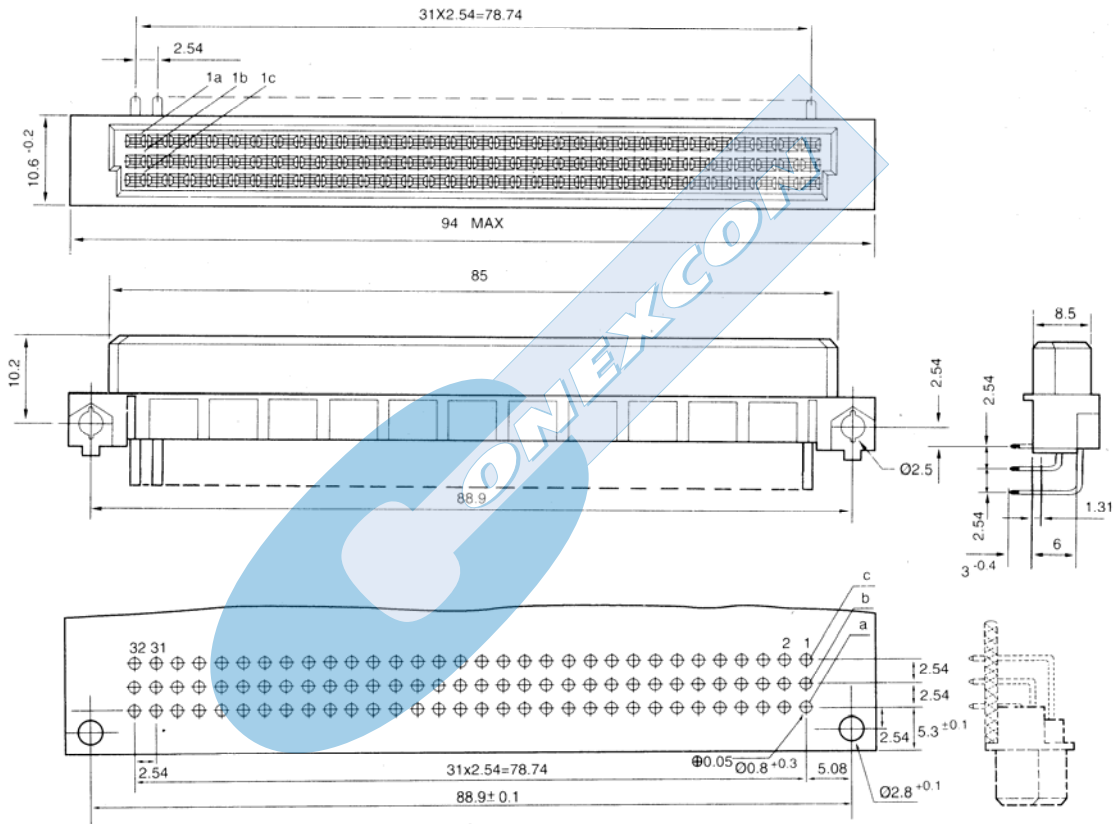


## 2318 SERIES. Right Angle Female. Type Half R Connectors

Circuit Size	Configuration	Part Number			-
		PCB Solder 4 mm	Wrap post tail length 13 mm	Wrap post tail length 17 mm	
32	a	2318 - T021	-	-	-
32	a + c	2318 - T321	-	-	-
48	a + b + c	2318 - T481	-	-	-
64	a + b	2318 - T041	-	-	-
64	a + c	2318 - T641	-	-	-
96	a + b + c	2318 - T961	-	-	-

T = Plating and class connector

- T = 3. 0.20 μ" over 1.27 μ" Ni. 200 cycles class 2B
- T = 4. 0.38 μ" over 1.27 μ" Ni. 400 cycles class 2
- T = 5. 0.76 μ" over 1.27 μ" Ni. 500 cycles class 1



RECOMMENDED HOLE PATTERN

