

# DIN 41612 EUROCARD CONNECTORS



## 2230 SERIES. Vertical Female Type Half B Connectors.

Circuit Size	Configuration	Part Number			
		PCB Solder 4 mm	Wrap post tail length 13 mm	Wrap post tail length 17 mm	Solder cable
16	a	2230 – T061	2230 – T063	2230 – T067	2230 – T068
16	a + b	2230 – T161	2230 – T163	2230 – T167	2230 – T168
32	a + b	2230 – T321	2230 – T323	2230 – T327	2230 – T328

Available with press-in contacts (Consult with the Sales Office)

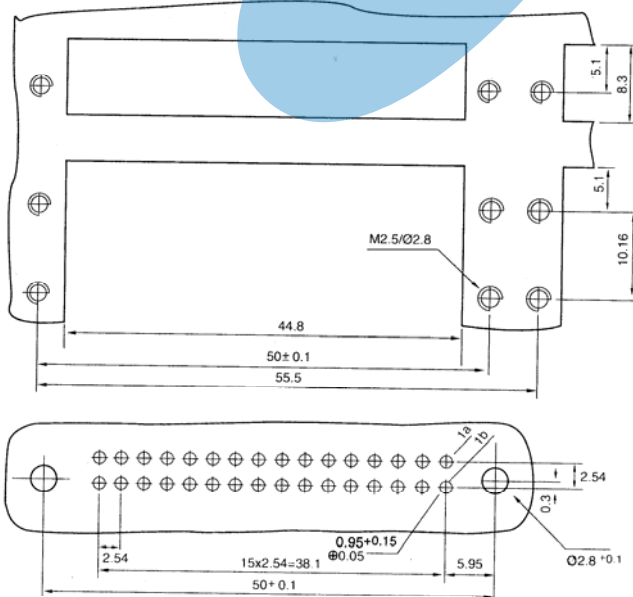
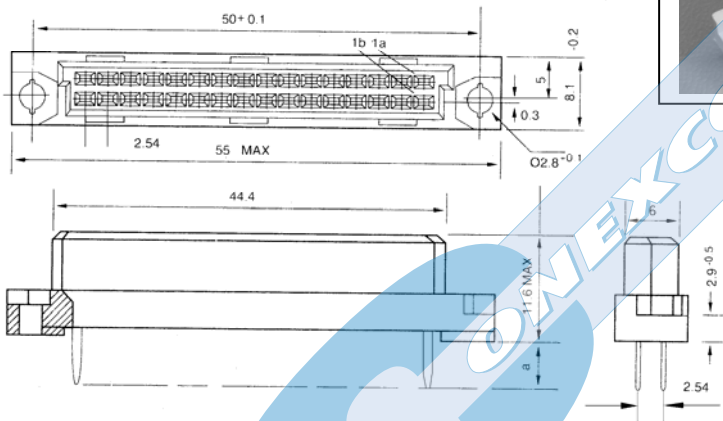
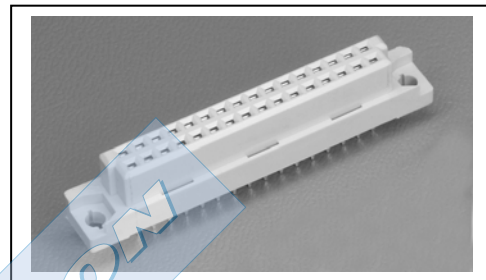
a	0.30 x 0.63
4	PCB Solder

a	□ 0.60 x 0.69
13	Wrap post

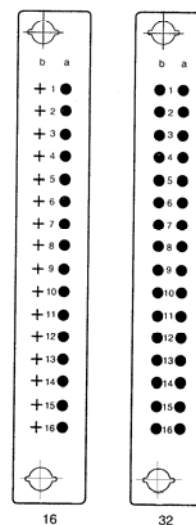
a	□ 0.60 x 0.69
17	Wrap post

T = Plating and class connector

- T = 3. 0.20μ" over 1.27μ" Ni. 200 cycles class 2B
- T = 4. 0.38μ" over 1.27μ" Ni. 400 cycles class 2
- T = 5. 0.76μ" over 1.27μ" Ni. 500 cycles class 1



RECOMMENDED HOLE PATTERN



CONTACT ARRANGEMENT