

# DIN 41612 EUROCARD CONNECTORS

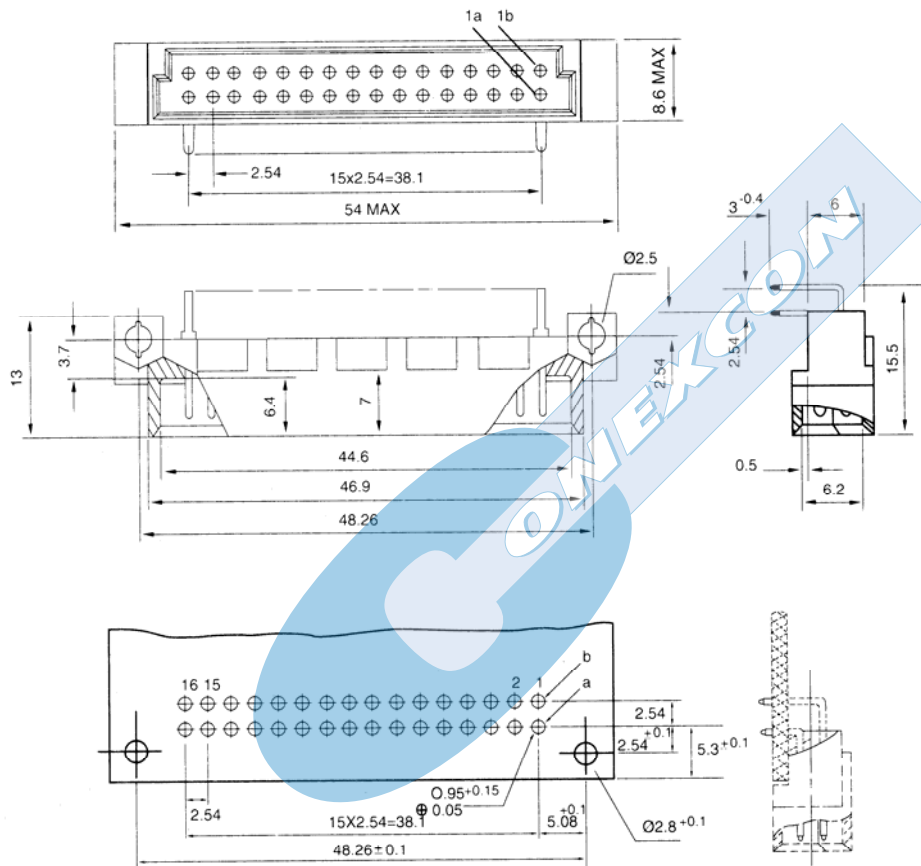


## 2227 SERIES. Right Angle Male Type Half B Connectors

Circuit Size	Configuration	Part Number		
		PCB Solder 4 mm	Wrap post tail length 13 mm	Wrap post tail length 17 mm
16	a	2227 - T061	-	-
16	a + b	2227 - T161	-	-
32	a + b	2227 - T321	-	-

T = Plating and class connector

- T = 3. 0.20  $\mu$ m over 1.27  $\mu$ m Ni. 200 cycles class 2B
- T = 4. 0.38  $\mu$ m over 1.27  $\mu$ m Ni. 400 cycles class 2
- T = 5. 0.76  $\mu$ m over 1.27  $\mu$ m Ni. 500 cycles class 1



RECOMMENDED HOLE PATTERN

