

SINGLE ROW R/ANGLE POLARISED HEADER

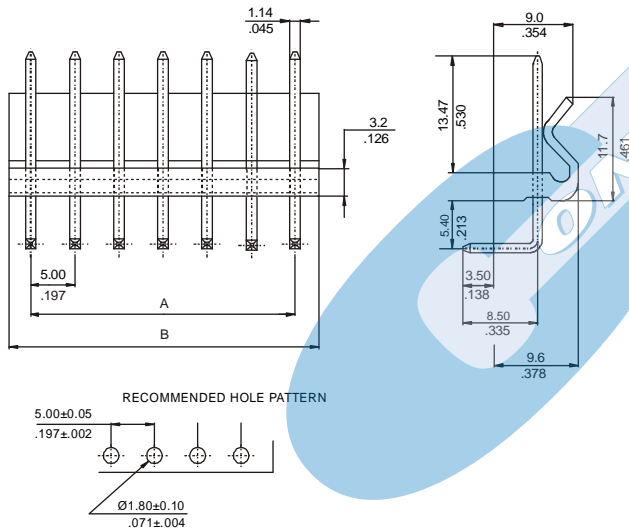


5006 SERIES. 5.00mm(0.197"). Square Pin. For PCB Solder

Features

- Available in 2 through 16 circuits
- Insulator Material: Nylon 6/6 UL 94V-0
- 1.14mm(.045") tin plated square pin in copper alloy
- Polarised with moulded friction lock
- Mates with 5000 series socket
- With standoff minimise flux retention
- Pin omit options are available in any circuits

Dimensional Information



Ordering and Dimensional Information

Circuit Size	Part Number	Dimensions	
		A	B
02	5006-2021	5,00(0,197)	10,00(0,394)
03	5006-2031	10,00(0,394)	15,00(0,591)
04	5006-2041	15,00(0,591)	20,00(0,787)
05	5006-2051	20,00(0,787)	25,00(0,984)
06	5006-2061	25,00(0,984)	30,00(1,181)
07	5006-2071	30,00(1,181)	35,00(1,378)
08	5006-2081	35,00(1,378)	40,00(1,575)
09	5006-2091	40,00(1,575)	45,00(1,772)
10	5006-2101	45,00(1,772)	50,00(1,969)
11	5006-2111	50,00(1,969)	55,00(2,165)
12	5006-2121	55,00(2,165)	60,00(2,362)
13	5006-2131	60,00(2,362)	65,00(2,559)
14	5006-2141	65,00(2,559)	70,00(2,756)
15	5006-2151	70,00(2,756)	75,00(2,953)
16	5006-2161	75,00(2,953)	80,00(3,150)