

# SINGLE ROW STRAIGHT POLARISED HEADER

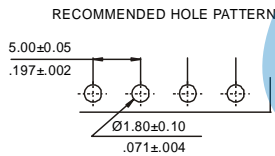
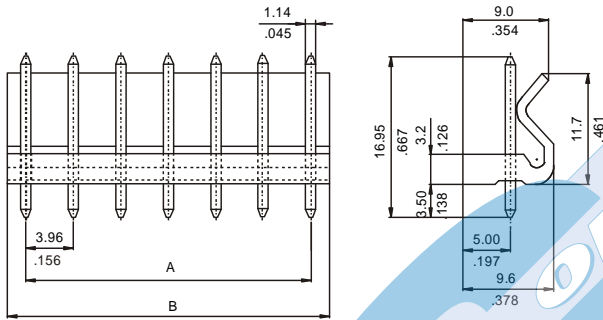


## 5005 SERIES. 5.00mm(0.197"). Square Pin. For PCB Solder

### Features

- Available in 2 through 16 circuits
- Insulation Material: Nylon 6/6 UL 94V-0
- 1.14mm(.045") square pin in copper alloy
- Mates with 5000 series socket
- Polarised with moulded friction lock
- Pin omit options are available in any circuit

### Dimensional Information



### Ordering and Dimensional Information

Circuit Size	Part Number	Dimensions	
		A	B
02	<b>5005-2021</b>	5,00(0,197)	10,00(0,394)
03	<b>5005-2031</b>	10,00(0,394)	15,00(0,591)
04	<b>5005-2041</b>	15,00(0,591)	20,00(0,787)
05	<b>5005-2051</b>	20,00(0,787)	25,00(0,984)
06	<b>5005-2061</b>	25,00(0,984)	30,00(1,181)
07	<b>5005-2071</b>	30,00(1,181)	35,00(1,378)
08	<b>5005-2081</b>	35,00(1,378)	40,00(1,575)
09	<b>5005-2091</b>	40,00(1,575)	45,00(1,772)
10	<b>5005-2101</b>	45,00(1,772)	50,00(1,969)
11	<b>5005-2111</b>	50,00(1,969)	55,00(2,165)
12	<b>5005-2121</b>	55,00(2,165)	60,00(2,362)
13	<b>5005-2131</b>	60,00(2,362)	65,00(2,559)
14	<b>5005-2141</b>	65,00(2,559)	70,00(2,756)
15	<b>5005-2151</b>	70,00(2,756)	75,00(2,953)
16	<b>5005-2161</b>	75,00(2,953)	80,00(3,150)