

POLARISING KEY & PEG



3944 SERIES. Polarising Key and Peg

Features

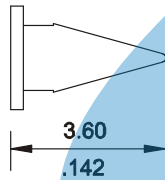
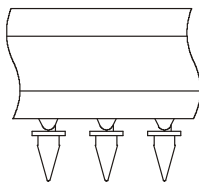
- Push key until flush with top of housing
- Material: Nylon UL94V-0
- Easy application
- Temperature Range: -40°C to 105°C

Dimensional Information

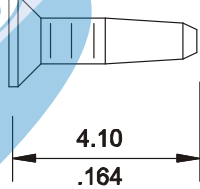
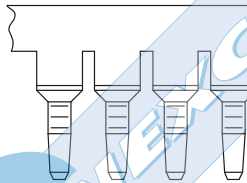
Ordering and Dimensional Information

Part Number	Application
3944-0010	Used in 3940, 5000, 5080, 7500 and 2544 series Housing
3944-0020	Used in 2651 and 2652 series Housing
3944-0030	Used in 3940 series Housing (pitch 3.96mm)
3944-0040	Used in 5440, 2018 and 2022 series Housing

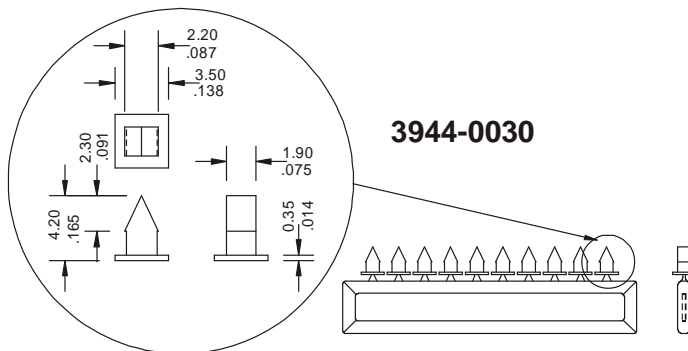
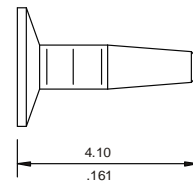
3944-0010



3944-0020



3944-0040



3944-0030