

SINGLE ROW R/ANGLE POLARISED HEADER

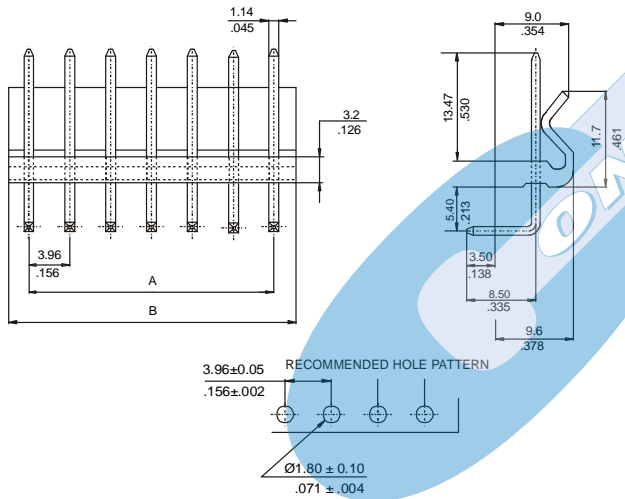


3968 SERIES. 3.96mm(0.156"). Square Pin. For PCB Solder

Features

- Available in 2 through 20 circuits
- Insulator Material: Nylon 6/6 UL 94V-0
- 1.14mm(.045") tin plated square pin in copper alloy
- Polarised with friction lock
- Mates with 3940, 3970 and 3971 series socket and PCB connectors
- With standoff minimise flux retention
- Pin omit options are available in any circuits

Dimensional Information



Ordering and Dimensional Information

Circuit Size	Part Number	Dimensions	
		A	B
02	3968-2021	3,96(0,156)	7,90(0,311)
03	3968-2031	7,92(0,312)	11,90(0,469)
04	3968-2041	11,88(0,468)	15,80(0,622)
05	3968-2051	15,84(0,624)	19,80(0,780)
06	3968-2061	19,80(0,780)	23,80(0,937)
07	3968-2071	23,76(0,935)	27,70(1,091)
08	3968-2081	27,72(1,091)	31,70(1,248)
09	3968-2091	31,68(1,247)	35,60(1,402)
10	3968-2101	35,64(1,403)	39,60(1,559)
11	3968-2111	39,60(1,559)	43,60(1,717)
12	3968-2121	43,56(1,715)	47,50(1,870)
13	3968-2131	47,52(1,871)	51,50(2,028)
14	3968-2141	51,48(2,027)	55,40(2,181)
15	3968-2151	55,44(2,183)	59,40(2,339)
16	3968-2161	59,40(2,339)	63,40(2,496)
17	3968-2171	63,36(2,494)	67,30(2,650)
18	3968-2181	67,32(2,650)	71,30(2,807)
19	3968-2191	71,28(2,806)	75,20(2,961)
20	3968-2201	75,24(2,962)	79,20(3,118)