

SINGLE ROW R / ANGLE POLARISED HEADER

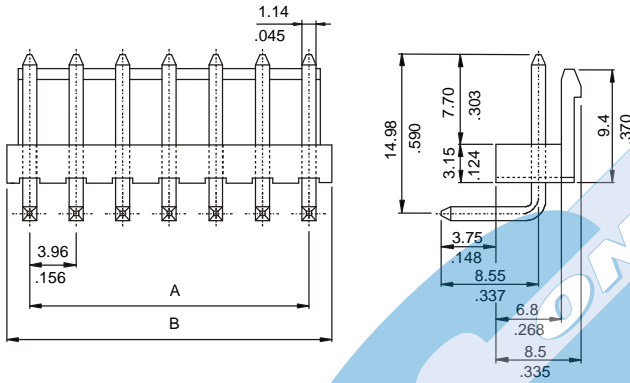


3952 SERIES. 3.96mm(0.156"). Square pin. For PCB Solder

Features

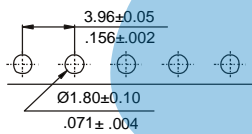
- Available in 2 through 12 circuits
- Insulation Material: Nylon 6/6 UL 94V-0
- 1.14mm(.045") square pin in tinned brass
- Mates with 3940-B and 3950 series socket
- Polarised with locking ramp
- For other options consult the Sales Office

Dimensional Information



Ordering and Dimensional Information

Circuit Size	Part Number	Dimensions	
		A	B
02	3952-2021	3,96(0,156)	7,90(0,311)
03	3952-2031	7,92(0,312)	11,80(0,465)
04	3952-2041	11,88(0,468)	15,80(0,622)
05	3952-2051	15,84(0,624)	19,70(0,776)
06	3952-2061	19,80(0,780)	23,70(0,933)
07	3952-2071	23,76(0,935)	27,70(1,091)
08	3952-2081	27,72(1,091)	31,60(1,244)
09	3952-2091	31,68(1,247)	35,60(1,402)
10	3952-2101	35,64(1,403)	39,50(1,555)
11	3952-2111	39,60(1,559)	43,50(1,713)
12	3952-2121	43,56(1,715)	47,50(1,870)



RECOMMENDED HOLE PATTERN