

2.54mm MINI JUMPER



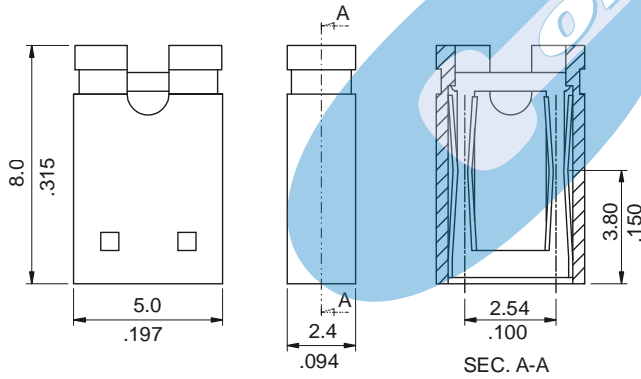
5460 SERIES. 2.54mm(0.100"). Fully Stackable

Features

- Mates with any common pairs of 0.64mm(.025") square or round pin
- Contact Material: Phosphor bronze with plating options
- Insulator Material: Glass filled polyester UL 94V-0
- Test probe hole allows electrical inspection of contact during application
- Double tuning fork type contact guarantees high reliability
- Low profile (8.00mm)

Dimensional Information

Ordering and Dimensional Information



Part Number	Finish	Colour
5460-3020	Gold flash over 50 μ " nickel.	Black
5460-5020	15 μ " gold over 50 μ " nickel	Black
5460-7020	50 μ " gold over 50 μ " nickel	Black