

2.54mm DUAL ROW FEMALE HEADER

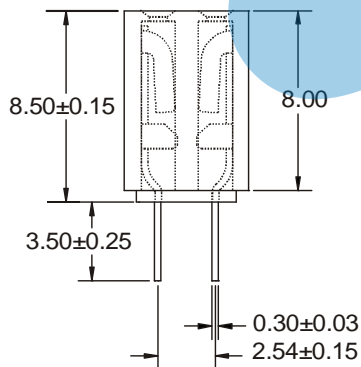
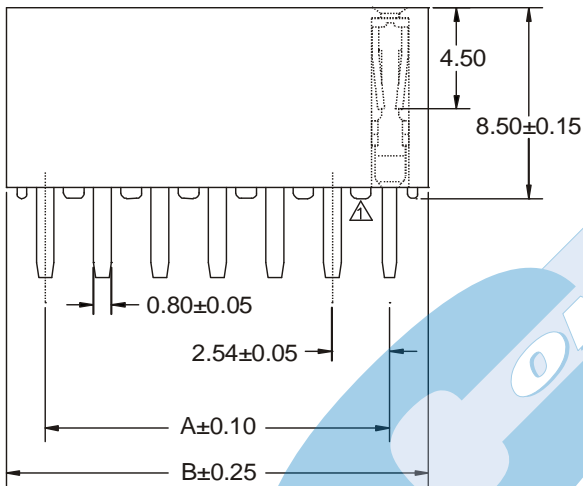
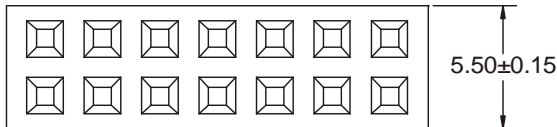


5453 SERIES. 2.54 x 2.54mm(0.100 X 0.100"). For PCB Solder

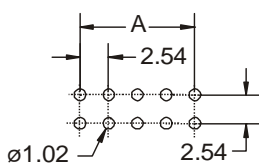
Features

- Available in 4 through 80 circuits
- Insulator Material: Nylon 6-T UL 94V-0
- Mates with 2.54mm pitch and 0.50mm pin headers
- Low profile and high density PCB socket
- Height: 8.50mm
- Different plating options are available
- High quality triple beam phosphor bronze contacts
- Designed for board to board small spacing interconnection

Dimensional Information



RECOMMENDED HOLE PATTERN



Ordering and Dimensional Information

Circuit Size	Part Number	Dimensions	
		A	B
04	5453-T041	2,54(0,100)	5,54(0,218)
06	5453-T061	5,08(0,200)	8,08(0,318)
08	5453-T081	7,62(0,300)	10,62(0,418)
10	5453-T101	10,16(0,400)	13,16(0,518)
12	5453-T121	12,70(0,500)	15,70(0,618)
14	5453-T141	15,24(0,600)	18,24(0,718)
16	5453-T161	17,78(0,700)	20,78(0,818)
18	5453-T181	20,32(0,800)	23,32(0,918)
20	5453-T201	22,86(0,900)	25,86(1,018)
22	5453-T221	25,40(1,000)	28,40(1,118)
24	5453-T241	27,94(1,100)	30,94(1,218)
26	5453-T261	30,48(1,200)	33,48(1,318)
28	5453-T281	33,02(1,300)	36,02(1,418)
30	5453-T301	35,56(1,400)	38,56(1,518)
32	5453-T321	38,10(1,500)	41,10(1,618)
34	5453-T341	40,64(1,600)	43,64(1,718)
36	5453-T361	43,18(1,700)	46,18(1,818)
38	5453-T381	45,72(1,800)	48,72(1,918)
40	5453-T401	48,26(1,900)	51,26(2,018)
42	5453-T421	50,80(2,000)	53,80(2,118)
44	5453-T441	53,34(2,100)	56,34(2,218)
46	5453-T461	55,88(2,200)	58,88(2,318)
48	5453-T481	58,42(2,300)	61,42(2,418)
50	5453-T501	60,96(2,400)	63,96(2,518)
52	5453-T521	63,50(2,500)	66,50(2,618)
54	5453-T541	66,04(2,600)	69,04(2,718)
56	5453-T561	68,58(2,700)	71,58(2,818)
58	5453-T581	71,12(2,800)	74,12(2,918)
60	5453-T601	73,66(2,900)	76,66(3,018)
62	5453-T621	76,20(3,000)	79,20(3,118)
64	5453-T641	78,74(3,100)	81,74(3,218)
66	5453-T661	81,28(3,200)	84,28(3,318)
68	5453-T681	83,82(3,300)	86,82(3,418)
70	5453-T701	86,36(3,400)	89,36(3,518)
72	5453-T721	88,90(3,500)	91,90(3,618)
74	5453-T741	91,44(3,600)	94,44(3,718)
76	5453-T761	93,98(3,700)	96,98(3,818)
78	5453-T781	96,52(3,800)	99,52(3,918)
80	5453-T801	99,06(3,900)	102,06(4,018)

T = Contact Plating

- T = 2. Tin plated
- T = 3. Gold flash over 50µ" nickel
Recommended Finish
- T = 5. 15µ" gold over 50µ" nickel
- T = 6. 30µ" gold over 50µ" nickel

