

2.54mm RIGHT ANGLE SHROUDED HEADER



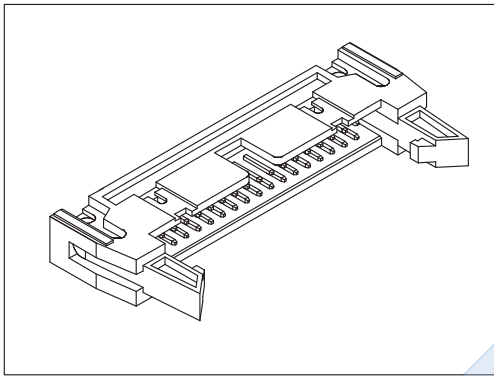
5342 SERIES. 2.54 x 2.54mm(0.100 x 0.100"). With Eject Latch Levers

Features

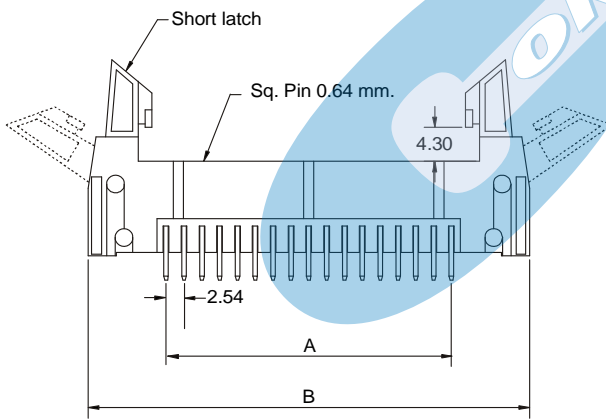
- Available in 10, 14, 16, 20, 26, 30, 34, 40, 50, 60 And 64 circuits
- Insulator Material: P.B.T UL 94V-0
- Contact Material: 0.64mm square pin in copper alloy
- Mates with 5440 series I.D.C connector
- Short and long latches available
- Fully shrouded. Provides fast connection / disconnection of Flat cable assembly

Dimensional Information

Ordering and Dimensional Information



Circuit Size	Part Number	Dimension	
		A	B
10	5342-T10X	10,16(0,400)	29,82 (1.174)
14	5342-T14X	15,24(0,600)	34,90 (1.374)
16	5342-T16X	17,78(0,700)	37,44 (1.474)
20	5342-T20X	22,86(0,900)	42,52 (1.674)
26	5342-T26X	30,48(1,200)	50,14 (1.974)
30	5342-T30X	35,56(1,400)	55,22 (2.174)
34	5342-T34X	40,64(1,600)	60,30 (2.374)
40	5342-T40X	48,26(1,900)	67,92 (2.674)
50	5342-T50X	60,96(2,400)	80,62 (3.174)
60	5342-T60X	73,66(2,900)	93,32 (3.674)
64	5342-T64X	78,74(3,100)	98,40 (3.874)

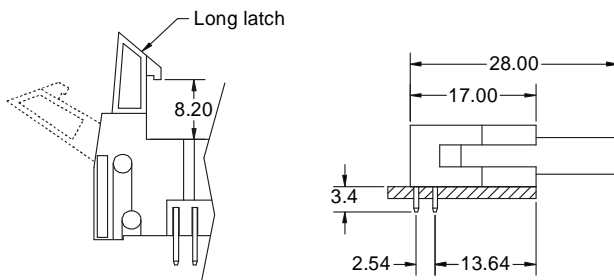


T = Contact Plating

- T = 2. Tin plated
- T = 3. Gold flash over 50µ" nickel
Recommended Finish
- T = 5. 15µ" gold over 50µ" nickel
- T = 6. 30µ" gold over 50µ" nickel

X = Latch type

- X = 0. Without Eject Latch
- X = 1. Short. For use without strain relief
- X = 2. Long. For use with strain relief



RECOMMENDED HOLE PATTERN

