

SINGLE ROW FEMALE HEADER

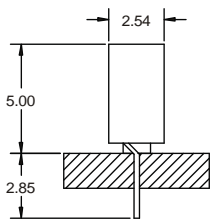
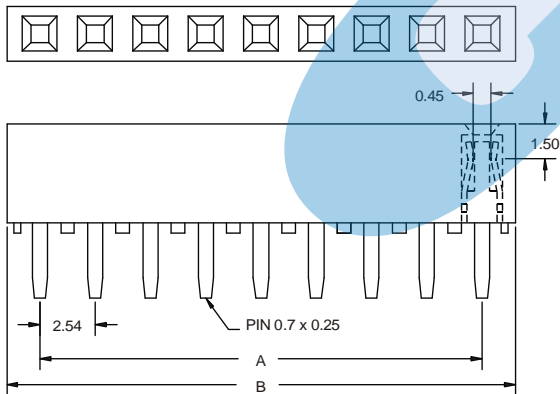
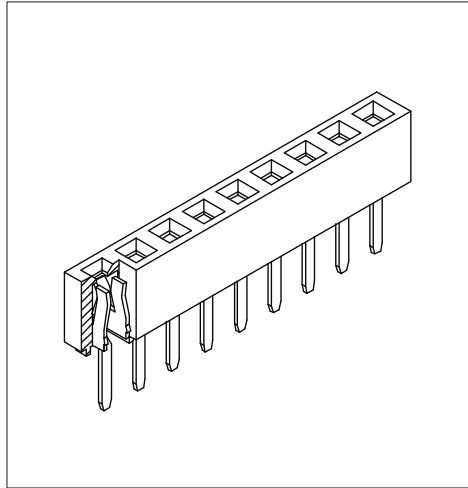


2595 SERIES. 2.54mm(0.100"). For PCB Solder

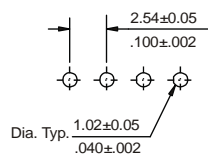
Features

- Available in 2 through 40 circuits
- Insulator Material: Glass filled polyester UL 94V-0
- Mates with 2.54mm pitch and 0.64mm pin headers
- Low profile and high density PCB socket
- Height: 5.00mm
- High quality dual beam phosphor bronze contacts
- Different plating options are available
- Colour Black

Dimensional Information



RECOMMENDED HOLE PATTERN



Ordering and Dimensional Information

Circuit Size	Part Number	Dimensions	
		A	B
02	2595-T021	2,54(0,100)	5,54(0,218)
03	2595-T031	5,08(0,200)	8,08(0,318)
04	2595-T041	7,62(0,300)	10,62(0,418)
05	2595-T051	10,16(0,400)	13,16(0,518)
06	2595-T061	12,70(0,500)	15,70(0,618)
07	2595-T071	15,24(0,600)	18,24(0,718)
08	2595-T081	17,78(0,700)	20,78(0,818)
09	2595-T091	20,32(0,800)	23,32(0,918)
10	2595-T101	22,86(0,900)	25,86(1,018)
11	2595-T111	25,40(1,000)	28,40(1,118)
12	2595-T121	27,94(1,100)	30,94(1,218)
13	2595-T131	30,48(1,200)	33,48(1,318)
14	2595-T141	33,02(1,300)	36,02(1,418)
15	2595-T151	35,56(1,400)	38,56(1,518)
16	2595-T161	38,10(1,500)	41,10(1,618)
17	2595-T171	40,64(1,600)	43,64(1,718)
18	2595-T181	43,18(1,700)	46,18(1,818)
19	2595-T191	45,72(1,800)	48,72(1,918)
20	2595-T201	48,26(1,900)	51,26(2,018)
21	2595-T211	50,80(2,000)	53,80(2,118)
22	2595-T221	53,34(2,100)	56,34(2,218)
23	2595-T231	55,88(2,200)	58,88(2,318)
24	2595-T241	58,42(2,300)	61,42(2,418)
25	2595-T251	60,96(2,400)	63,96(2,518)
26	2595-T261	63,50(2,500)	66,50(2,618)
27	2595-T271	66,04(2,600)	69,04(2,718)
28	2595-T281	68,58(2,700)	71,58(2,818)
29	2595-T291	71,12(2,800)	74,12(2,918)
30	2595-T301	73,66(2,900)	76,66(3,018)
31	2595-T311	76,20(3,000)	79,20(3,118)
32	2595-T321	78,74(3,100)	81,74(3,218)
33	2595-T331	81,28(3,200)	84,28(3,318)
34	2595-T341	83,82(3,300)	86,82(3,418)
35	2595-T351	86,36(3,400)	89,36(3,518)
36	2595-T361	88,90(3,500)	91,90(3,618)
37	2595-T371	91,44(3,600)	94,44(3,718)
38	2595-T381	93,98(3,700)	96,98(3,818)
39	2595-T391	96,52(3,800)	99,52(3,918)
40	2595-T401	99,06(3,900)	102,06(4,018)

T = Contact Plating

- T = 2. Tin plated
- T = 3. Gold flash over 50µ" nickel
Recommended Finish
- T = 5. 15µ" gold over 50µ" nickel
- T = 6. 30µ" gold over 50µ" nickel
- T = 13. Selective gold flash over 50µ" nickel
- T = 15. 15µ" selective gold over 50µ" nickel
- T = 16. 30µ" selective gold over 50µ" nickel