

DUAL ROW RIGHT ANGLE HEADER

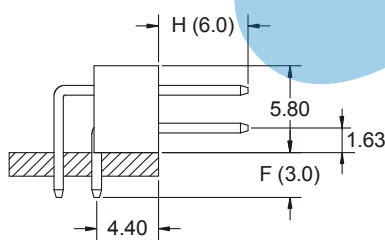
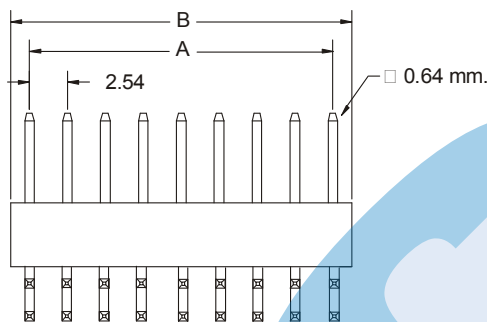
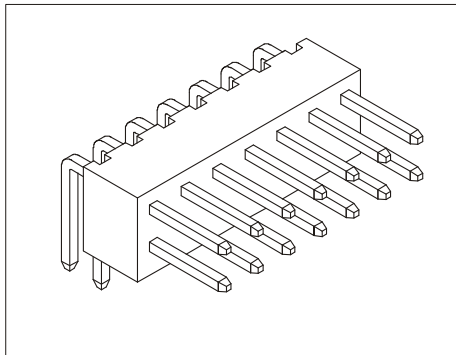


2583 SERIES. 2.54 mm. (0.100"). For PCB solder

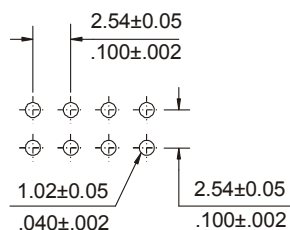
Features

- Available in 4 through 80 circuits
- Mates with dual row 2.54 mm
- Insulator Material : PBT UL 94V-0
- Contact Material: Brass with different plating options
- 0.64 mm square pin
- Without polarisation
- For other options consult the Sales Office

Dimensional information:



RECOMMENDED HOLE PATTERN



Ordering and dimensional information:

Circuit Size	Part Number	Dimensions	
		A	B
04	2583-T04C	2,54(0,100)	5,08(0,200)
06	2583-T06C	5,08(0,200)	7,62(0,300)
08	2583-T08C	7,62(0,300)	10,16(0,200)
10	2583-T10C	10,16(0,400)	12,70(0,250)
12	2583-T12C	12,70(0,500)	15,24(0,300)
14	2583-T14C	15,24(0,600)	17,78(0,350)
16	2583-T16C	17,78(0,700)	20,32(0,400)
18	2583-T18C	20,32(0,800)	22,86(0,450)
20	2583-T20C	22,86(0,900)	25,40(0,500)
22	2583-T22C	25,40(1,000)	27,94(0,550)
24	2583-T24C	27,94(1,100)	30,48(0,600)
26	2583-T26C	30,48(1,200)	33,02(0,650)
28	2583-T28C	33,02(1,300)	35,56(0,700)
30	2583-T30C	35,56(1,400)	38,10(0,750)
32	2583-T32C	38,10(1,500)	40,64(0,800)
34	2583-T34C	40,64(1,600)	43,18(0,850)
36	2583-T36C	43,18(1,700)	45,72(0,900)
38	2583-T38C	45,72(1,800)	48,26(0,950)
40	2583-T40C	48,26(1,900)	50,80(1,000)
42	2583-T42C	50,80(2,000)	53,34(1,050)
44	2583-T44C	53,34(2,100)	55,88(1,100)
46	2583-T46C	55,88(2,200)	58,42(1,150)
48	2583-T48C	58,42(2,300)	60,96(1,200)
50	2583-T50C	60,96(2,400)	63,50(1,250)
52	2583-T52C	63,50(2,500)	66,04(1,300)
54	2583-T54C	66,04(2,600)	68,58(1,350)
56	2583-T56C	68,58(2,700)	71,12(1,400)
58	2583-T58C	71,12(2,800)	73,66(1,450)
60	2583-T60C	73,66(2,900)	76,20(1,500)
62	2583-T62C	76,20(3,000)	78,74(1,550)
64	2583-T64C	78,74(3,100)	81,28(1,600)
66	2583-T66C	81,28(3,200)	83,82(1,650)
68	2583-T68C	83,82(3,300)	86,36(1,700)
70	2583-T70C	86,36(3,400)	88,90(1,750)
72	2583-T72C	88,90(3,500)	91,44(1,800)
74	2583-T74C	91,44(3,600)	93,98(1,850)
76	2583-T76C	93,98(3,700)	96,52(1,900)
78	2583-T78C	96,52(3,800)	99,06(1,950)
80	2583-T80C	99,06(3,900)	101,60(2,000)

T = Plating Options

- T = 2. Tin plated
- T = 3. Gold flash over 30-50µ" nickel overall
 - Recommended Finish
- T = 5. 15µ" gold over 30-50µ" nickel overall
- T = 6. 30µ" gold over 30-50µ" nickel overall

C = Pin Dimension

- C = 1. Dim. H = 6.00 mm. Dim. F = 3.00 mm.
- C = 2. Dim. H = 8.00 mm. Dim. F = 2.50 mm.