

# DUAL ROW STRAIGHT HEADER

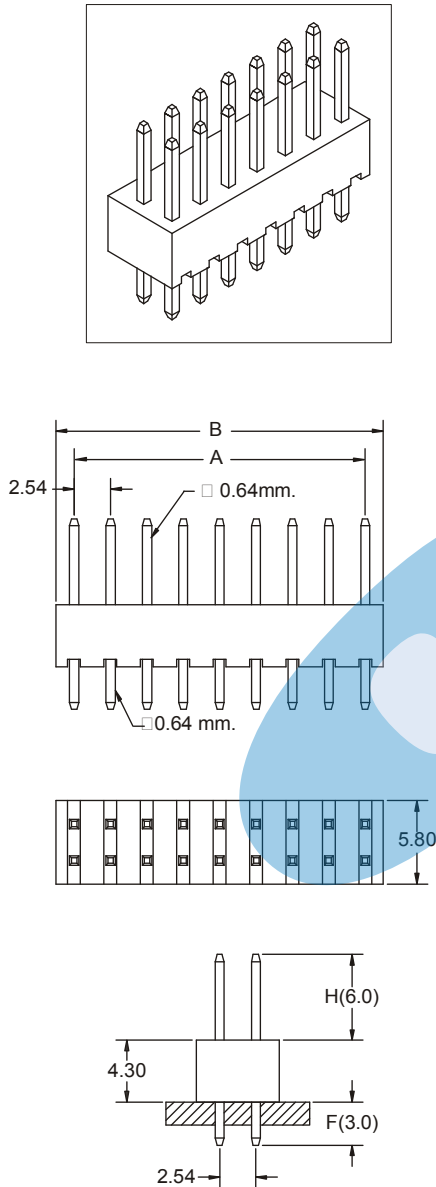


## 2582 SERIE 2.54x 2.54 mm. (0.100 x 0.100"). For PCB solder

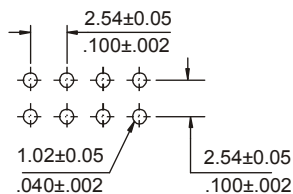
### Features

- Available in 4 through 80 circuits
- Mates with dual row 2.54 mm
- Material : PBT UL 94V-0
- 0.64 mm square pin
- Gold or phosphor bronze terminal with different plating
- Without polarisation
- For other options consult The Sales Office

### Dimensional information:



### RECOMMENDED HOLE PATTERN



### Ordering and dimensional information:

Circuit Size	Part Number	Dimensions	
		A	B
04	<b>2582-T04C</b>	2,54(0,100)	5,08(0,200)
06	<b>2582-T06C</b>	5,08(0,200)	7,62(0,150)
08	<b>2582-T08C</b>	7,62(0,300)	10,16(0,200)
10	<b>2582-T10C</b>	10,16(0,400)	12,70(0,250)
12	<b>2582-T12C</b>	12,70(0,500)	15,24(0,300)
14	<b>2582-T14C</b>	15,24(0,600)	17,78(0,350)
16	<b>2582-T16C</b>	17,78(0,700)	20,32(0,400)
18	<b>2582-T18C</b>	20,32(0,800)	22,86(0,450)
20	<b>2582-T20C</b>	22,86(0,900)	25,40(0,500)
22	<b>2582-T22C</b>	25,40(1,000)	27,94(0,550)
24	<b>2582-T24C</b>	27,94(1,100)	30,48(0,600)
26	<b>2582-T26C</b>	30,48(1,200)	33,02(0,650)
28	<b>2582-T28C</b>	33,02(1,300)	35,56(0,700)
30	<b>2582-T30C</b>	35,56(1,400)	38,10(0,750)
32	<b>2582-T32C</b>	38,10(1,500)	40,64(0,800)
34	<b>2582-T34C</b>	40,64(1,600)	43,18(0,850)
36	<b>2582-T36C</b>	43,18(1,700)	45,72(0,900)
38	<b>2582-T38C</b>	45,72(1,800)	48,26(0,950)
40	<b>2582-T40C</b>	48,26(1,900)	50,80(1,000)
42	<b>2582-T42C</b>	50,80(2,000)	53,34(1,050)
44	<b>2582-T44C</b>	53,34(2,100)	55,88(1,100)
46	<b>2582-T46C</b>	55,88(2,200)	58,42(1,150)
48	<b>2582-T48C</b>	58,42(2,300)	60,96(1,200)
50	<b>2582-T50C</b>	60,96(2,400)	63,50(1,250)
52	<b>2582-T52C</b>	63,50(2,500)	66,04(1,300)
54	<b>2582-T54C</b>	66,04(2,600)	68,58(1,350)
56	<b>2582-T56C</b>	68,58(2,700)	71,12(1,400)
58	<b>2582-T58C</b>	71,12(2,800)	73,66(1,450)
60	<b>2582-T60C</b>	73,66(2,900)	76,20(1,500)
62	<b>2582-T62C</b>	76,20(3,000)	78,74(1,550)
64	<b>2582-T64C</b>	78,74(3,100)	81,28(1,600)
66	<b>2582-T66C</b>	81,28(3,200)	83,82(1,650)
68	<b>2582-T68C</b>	83,82(3,300)	86,36(1,700)
70	<b>2582-T70C</b>	86,36(3,400)	88,90(1,750)
72	<b>2582-T72C</b>	88,90(3,500)	91,44(1,800)
74	<b>2582-T74C</b>	91,44(3,600)	93,98(1,850)
76	<b>2582-T76C</b>	93,98(3,700)	96,52(1,900)
78	<b>2582-T78C</b>	96,52(3,800)	99,06(1,950)
80	<b>2582-T80C</b>	99,06(3,900)	101,60(2,000)

### T = Contact Plating

- T = 2. Tin-plated.
- T = 3. Gold flash over 1.27 μ Ni.
- T = 4. 0.25 μ Gold over 1.27 μ Ni.
- T = 5. 0.38 μ Gold over 1.27 μ Ni.
- T = 6. 0.75 μ Gold over 1.27 μ Ni.

### C = Pin Dimension

- C = 1. Dim. H = 6.00 mm. Dim. F = 3.00 mm.