

DUAL ROW STRAIGHT HEADER SMT

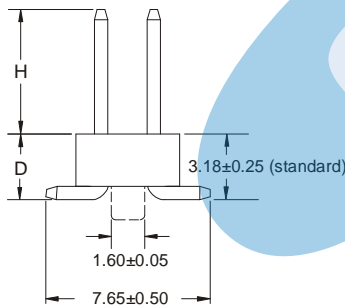
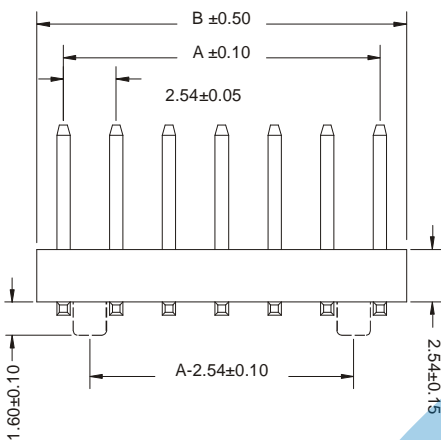
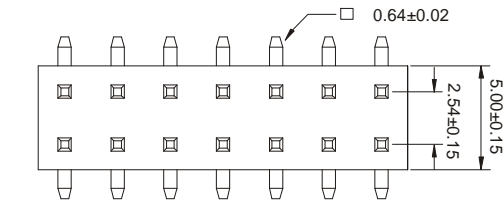


2468 SERIES. 2.54 x 2.54mm(0.100 X 0.100"). For PCB Solder

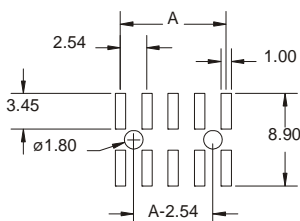
Features

- Available in 06 through 64 circuits
- Mates with 2.54mm(.050") dual row housing and socket
- Insulator Material Nylon 6T
- 0.40mm square pin in copper alloy
- Pin length and plating options are available
- For other options consult the Sales Office

Dimensional Information



RECOMMENDED PCB LAYOUT



Ordering and Dimensional Information

Circuit Size	Part Number		Dimensions		
	Without post	With post	A	B	C
06	2468-T061CE	2468-T062CE	5,08(0,200)	7,62(0,300)	2,54 (0,10)
08	2468-T081CE	2468-T082CE	7,62(0,300)	10,16(0,400)	5,08(0,200)
10	2468-T101CE	2468-T102CE	10,16(0,400)	12,70(0,500)	7,62(0,300)
12	2468-T121CE	2468-T122CE	12,70(0,500)	15,24(0,600)	10,16(0,400)
14	2468-T141CE	2468-T142CE	15,24(0,600)	17,78(0,700)	12,70(0,500)
16	2468-T161CE	2468-T162CE	17,78(0,700)	20,32(0,800)	15,24(0,600)
18	2468-T181CE	2468-T182CE	20,32(0,800)	22,86(0,900)	17,78(0,700)
20	2468-T201CE	2468-T202CE	22,86(0,900)	25,40(1,000)	20,32(0,800)
22	2468-T221CE	2468-T222CE	25,40(1,000)	27,94(1,100)	22,86(0,900)
24	2468-T241CE	2468-T242CE	27,94(1,100)	30,48(1,200)	25,40(1,000)
26	2468-T261CE	2468-T262CE	30,48(1,200)	33,02(1,300)	27,94(1,100)
28	2468-T281CE	2468-T282CE	33,02(1,300)	35,56(1,400)	30,48(1,200)
30	2468-T301CE	2468-T302CE	35,56(1,400)	38,10(1,500)	33,02(1,300)
32	2468-T321CE	2468-T322CE	38,10(1,500)	40,64(1,600)	35,56(1,400)
34	2468-T341CE	2468-T342CE	40,64(1,600)	43,18(1,700)	38,10(1,500)
36	2468-T361CE	2468-T362CE	43,18(1,700)	45,72(1,800)	40,64(1,600)
38	2468-T381CE	2468-T382CE	45,72(1,800)	48,26(1,900)	43,18(1,700)
40	2468-T401CE	2468-T402CE	48,26(1,900)	50,80(2,000)	45,72(1,800)
42	2468-T421CE	2468-T422CE	50,80(2,000)	53,34(2,100)	48,26(1,900)
44	2468-T441CE	2468-T442CE	53,34(2,100)	55,88(2,200)	50,80(2,000)
46	2468-T461CE	2468-T462CE	55,88(2,200)	58,42(2,300)	53,34(2,100)
48	2468-T481CE	2468-T482CE	58,42(2,300)	60,96(2,400)	55,88(2,200)
50	2468-T501CE	2468-T502CE	60,96(2,400)	63,50(2,500)	58,42(2,300)
52	2468-T521CE	2468-T522CE	63,50(2,500)	66,04(2,600)	60,96(2,400)
54	2468-T541CE	2468-T542CE	66,04(2,600)	68,58(2,700)	63,50(2,500)
56	2468-T561CE	2468-T562CE	68,58(2,700)	71,12(2,800)	66,04(2,600)
58	2468-T581CE	2468-T582CE	71,12(2,800)	73,66(2,900)	68,58(2,700)
60	2468-T601CE	2468-T602CE	73,66(2,900)	76,20(3,000)	71,12(2,800)
62	2468-T621CE	2468-T622CE	76,20(3,000)	78,74(3,100)	73,66(2,900)
64	2468-T641CE	2468-T642CE	78,74(3,100)	81,28(3,200)	76,20(3,000)

T = Contact Plating

- T = 2. Tin plated
- T = 3. Gold flash over 50µ" nickel
Recommended Finish
- T = 5. 15µ" gold over 50µ" nickel
- T = 6. 30µ" gold over 50µ" nickel
- T = 13. Selective gold flash over 50µ" nickel
- T = 15. 15µ" selective gold over 50µ" nickel
- T = 16. 30µ" selective gold over 50µ" nickel

C = Pin Length

- C = 1. Dim. H = 6.00 mm.
- C = 2. Dim. H = 8.00 mm.
- C = 4. Dim. H = 10.52 mm.
- C = 5. Dim. H = 6.00 mm. D = 3.81
- C = 6. Dim. H = 5.80 mm.
- C = 7. Dim. H = 8.00 mm. D = 3.81
- C = 8. Dim. H = 5.84 mm. D = 3.81

E = Packing

- E = 1. PAD + TUBE
- E = 2. PAD + REEL