

2.54mm DUAL ROW FEMALE HEADER

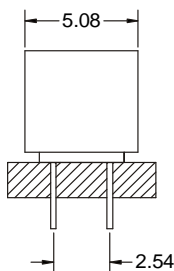
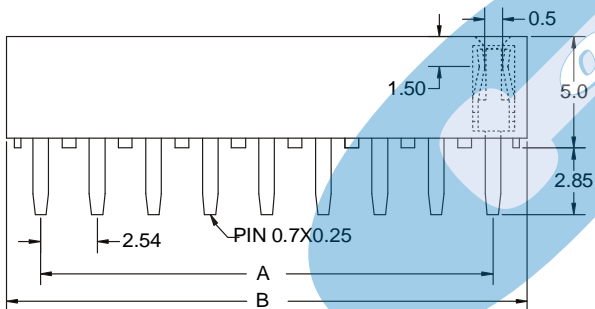
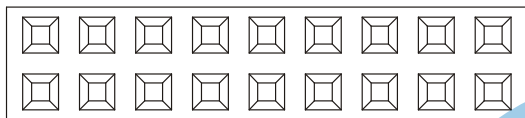
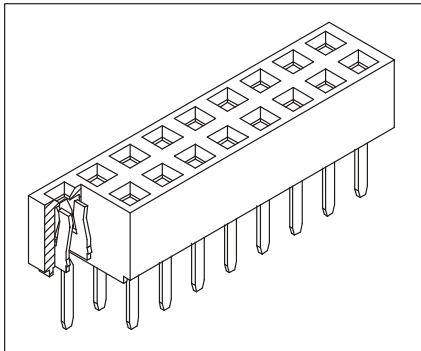


2444 SERIES. 2.54 x 2.54mm(0.100 X 0.100"). For PCB Solder

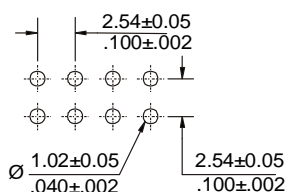
Features

- Available in 6 through 80 circuits
- Insulator Material: Nylon 6-T UL 94V-0
- Mates with 2.54mm pitch and 0.64mm pin headers
- Low profile and high density PCB socket
- Height: 5.00mm
- Different plating options are available
- High quality dual beam phosphor bronze contacts
- Designed for board to board small spacing interconnection

Dimensional Information



RECOMMENDED HOLE PATTERN



Ordering and Dimensional Information

Circuit Size	Part Number	Dimensions	
		A	B
06	2444-1061	5,08(0,200)	8,12(0,320)
08	2444-1081	7,62(0,300)	10,66(0,420)
10	2444-1101	10,16(0,400)	13,20(0,520)
12	2444-1121	12,70(0,500)	15,74(0,620)
14	2444-1141	15,24(0,600)	18,28(0,720)
16	2444-1161	17,78(0,700)	20,82(0,820)
18	2444-1181	20,32(0,800)	23,36(0,920)
20	2444-1201	22,86(0,900)	25,90(1,020)
22	2444-1221	25,40(1,000)	28,44(1,120)
24	2444-1241	27,94(1,100)	30,98(1,220)
26	2444-1261	30,48(1,200)	33,52(1,320)
28	2444-1281	33,02(1,300)	36,06(1,420)
30	2444-1301	35,56(1,400)	38,60(1,520)
32	2444-1321	38,10(1,500)	41,14(1,620)
34	2444-1341	40,64(1,600)	43,68(1,720)
36	2444-1361	43,18(1,700)	46,22(1,820)
38	2444-1381	45,72(1,800)	48,76(1,920)
40	2444-1401	48,26(1,900)	51,30(2,020)
42	2444-1421	50,80(2,000)	53,84(2,120)
44	2444-1441	53,34(2,100)	56,38(2,220)
46	2444-1461	55,88(2,200)	58,92(2,320)
48	2444-1481	58,42(2,300)	61,46(2,420)
50	2444-1501	60,96(2,400)	64,00(2,520)
52	2444-1521	63,50(2,500)	66,54(2,620)
54	2444-1541	66,04(2,600)	69,08(2,720)
56	2444-1561	68,58(2,700)	71,62(2,820)
58	2444-1581	71,12(2,800)	74,16(2,920)
60	2444-1601	73,66(2,900)	76,70(3,020)
62	2444-1621	76,20(3,000)	79,24(3,120)
64	2444-1641	78,74(3,100)	81,78(3,220)
66	2444-1661	81,28(3,200)	84,32(3,320)
68	2444-1681	83,82(3,300)	86,86(3,420)
70	2444-1701	86,36(3,400)	89,40(3,520)
72	2444-1721	88,90(3,500)	91,94(3,620)
74	2444-1741	91,44(3,600)	94,48(3,720)
76	2444-1761	93,98(3,700)	97,02(3,820)
78	2444-1781	96,52(3,800)	99,56(3,920)
80	2444-1801	99,06(3,900)	102,10(4,020)

T = Contact Plating

- T = 2. Tin plated
- T = 3. Gold flash over 50µ" nickel
Recommended Finish
- T = 5. 15µ" gold over 50µ" nickel
- T = 6. 30µ" gold over 50µ" nickel
- T = 13. Selective gold flash over 50µ" nickel
- T = 15. 15µ" selective gold over 50µ" nickel
- T = 16. 30µ" selective gold over 50µ" nickel