

SINGLE ROW RIGHT ANGLE BOX HEADER

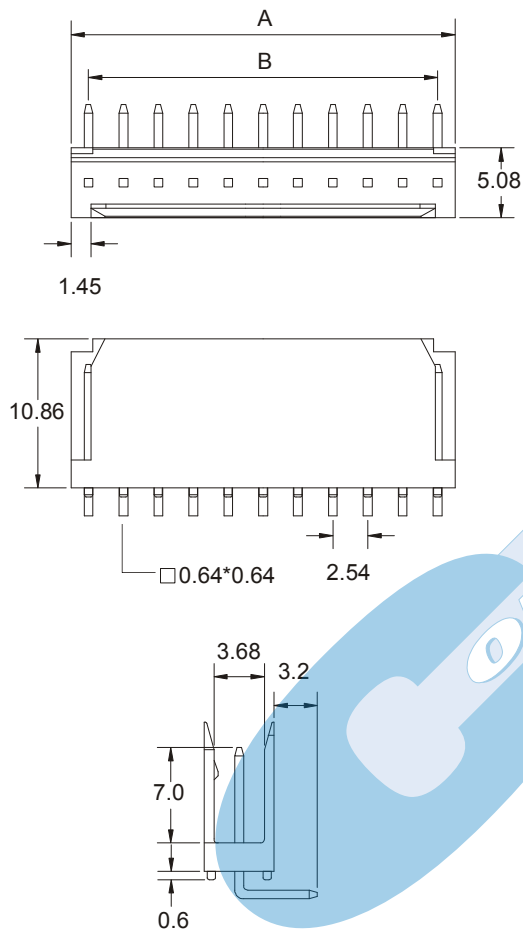


2346 SERIES. 2.54mm(0.100"). For PCB Solder.Two Wall

Features

- Available in 2 through 24 circuits
- Insulator Material: PBT, UL 94V-0
- Contact Material: 0.64mm(.025") square pin in Brass
- Polarised with locking ramp. Mates with 2349 housing series

Dimensional Information



Dimensional and Ordering Information

Circuit Size	Part Number	Dimensions	
		A	B
02	2346- T021	5.08(0,200)	2,54(0,100)
03	2346- T031	7,62(0,300)	5,08(0,200)
04	2346- T041	10,16(0,400)	7,62(0,300)
05	2346- T051	12,70(0,500)	10,16(0,400)
06	2346- T061	15,24(0,600)	12,70(0,500)
07	2346- T071	17,78(0,700)	15,24(0,600)
08	2346- T081	20,32(0,800)	17,78(0,700)
09	2346- T091	22,86(0,900)	20,32(0,800)
10	2346- T101	25,40(1,000)	22,86(0,900)
11	2346- T111	27,94(1,100)	25,40(1,000)
12	2346- T121	30,48(1,200)	27,94(1,100)
13	2346- T131	33,02(1,300)	30,48(1,200)
14	2346- T141	35,56(1,400)	33,02(1,300)
15	2346- T151	38,10(1,500)	35,56(1,400)
16	2346- T161	40,64(1,600)	38,10(1,500)
17	2346- T171	43,18(1,700)	40,64(1,600)
18	2346- T181	45,72(1,800)	43,18(1,700)
19	2346- T191	48,26(1,900)	45,72(1,800)
20	2346- T201	50,80(2,000)	48,26(1,900)
21	2346- T211	53,34(2,100)	50,80(2,000)
22	2346- T221	55,88(2,200)	53,34(2,100)
23	2346- T231	58,42(2,300)	55,88(2,200)
24	2346- T241	60,96(2,400)	58,42(2,300)

T = Contact Plating

- T = 2. Tin plated
Recommended Finish
- T = 3. Gold flash over 50µ" nickel
- T = 5. 15µ" gold over 50µ" nickel
- T = 6. 30µ" gold over 50µ" nickel

RECOMMENDED HOLE PATTERN

