

# 2.54mm DUAL ROW FEMALE HEADER

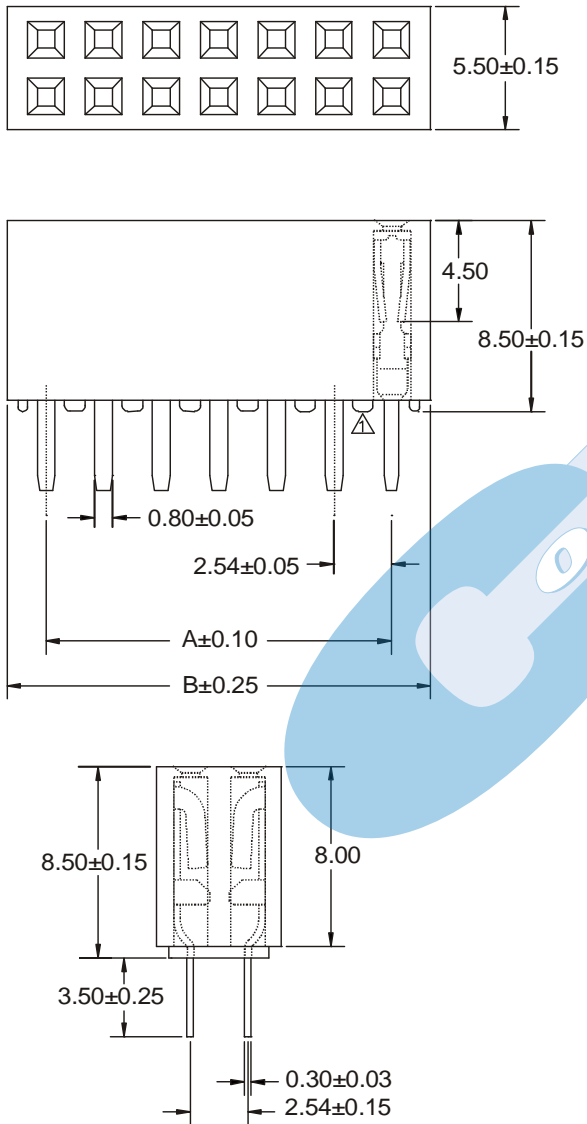


## 2201 SERIES. 2.54 x 2.54mm(0.100 X 0.100"). For PCB Solder

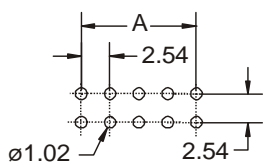
### Features

- Available in 4 through 80 circuits
- Insulator Material: Nylon 6-T UL 94V-0
- Mates with 2.54mm pitch and 0.64mm pin headers
- Low profile and high density PCB socket
- Height: 8.50mm
- Different plating options are available
- High quality dual beam phosphor bronze contacts
- Designed for board to board small spacing interconnection

### Dimensional Information



### RECOMMENDED HOLE PATTERN



### Ordering and Dimensional Information

Circuit Size	Part Number	Dimensions	
		A	B
04	2201-I041	2,54(0,100)	5,48(0,215)
06	2201-I061	5,08(0,200)	8,02(0,315)
08	2201-I081	7,62(0,300)	10,56(0,415)
10	2201-I101	10,16(0,400)	13,10(0,515)
12	2201-I121	12,70(0,500)	15,64(0,615)
14	2201-I141	15,24(0,600)	18,18(0,715)
16	2201-I161	17,78(0,700)	20,72(0,815)
18	2201-I181	20,32(0,800)	23,26(0,915)
20	2201-I201	22,86(0,900)	25,80(1,015)
22	2201-I221	25,40(1,000)	28,34(1,115)
24	2201-I241	27,94(1,100)	30,88(1,215)
26	2201-I261	30,48(1,200)	33,42(1,315)
28	2201-I281	33,02(1,300)	35,96(1,415)
30	2201-I301	35,56(1,400)	38,50(1,515)
32	2201-I321	38,10(1,500)	41,04(1,615)
34	2201-I341	40,64(1,600)	43,58(1,715)
36	2201-I361	43,18(1,700)	46,12(1,815)
38	2201-I381	45,72(1,800)	48,66(1,915)
40	2201-I401	48,26(1,900)	51,20(2,015)
42	2201-I421	50,80(2,000)	53,74(2,115)
44	2201-I441	53,34(2,100)	56,28(2,215)
46	2201-I461	55,88(2,200)	58,82(2,315)
48	2201-I481	58,42(2,300)	61,36(2,415)
50	2201-I501	60,96(2,400)	63,90(2,515)
52	2201-I521	63,50(2,500)	66,44(2,615)
54	2201-I541	66,04(2,600)	68,98(2,715)
56	2201-I561	68,58(2,700)	71,52(2,815)
58	2201-I581	71,12(2,800)	74,06(2,915)
60	2201-I601	73,66(2,900)	76,60(3,015)
62	2201-I621	76,20(3,000)	79,14(3,115)
64	2201-I641	78,74(3,100)	81,68(3,215)
66	2201-I661	81,28(3,200)	84,22(3,315)
68	2201-I681	83,82(3,300)	86,76(3,415)
70	2201-I701	86,36(3,400)	89,30(3,515)
72	2201-I721	88,90(3,500)	91,84(3,615)
74	2201-I741	91,44(3,600)	94,38(3,715)
76	2201-I761	93,98(3,700)	96,92(3,815)
78	2201-I781	96,52(3,800)	99,46(3,915)
80	2201-I801	99,06(3,900)	102,00(4,015)

### T = Contact Plating

- T = 2. Tin plated
- T = 3. Gold flash over  $50\mu$ " nickel  
Recommended Finish
- T = 5.  $15\mu$ " gold over  $50\mu$ " nickel
- T = 6.  $30\mu$ " gold over  $50\mu$ " nickel
- T = 13. Selective gold flash over  $50\mu$ " nickel
- T = 15.  $15\mu$ " selective gold over  $50\mu$ " nickel
- T = 16.  $30\mu$ " selective gold over  $50\mu$ " nickel