

# FEMALE STRAIGHT HEADER

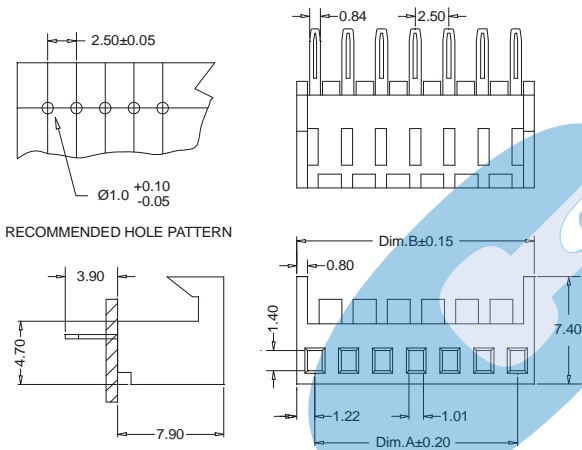


## 2496 SERIES. 2.50 mm. (0.098"). For PCB solder

### Features

- Available in 2 through 25 circuits
- Mates with 2516, 2517, 2503 and 2504 serie
- Material : nylon 6/6 UL 94V-0
- 0.64 mm square pin
- Tin plating terminal

### Dimensional information:



### Ordering and dimensional information:

Circuit Size	Part Number	Dimensions	
		A	B
02	2496-2021	2,50(0,098)	5,00(0,197)
03	2496-2031	5,00(0,197)	7,50(0,295)
04	2496-2041	7,50(0,295)	10,00(0,394)
05	2496-2051	10,00(0,394)	12,50(0,492)
06	2496-2061	12,50(0,492)	15,00(0,591)
07	2496-2071	15,00(0,591)	17,50(0,689)
08	2496-2081	17,50(0,689)	20,00(0,787)
09	2496-2091	20,00(0,787)	22,50(0,886)
10	2496-2101	22,50(0,886)	25,00(0,984)
11	2496-2111	25,00(0,984)	27,50(1,083)
12	2496-2121	27,50(1,083)	30,00(1,181)
13	2496-2131	30,00(1,181)	32,50(1,280)
14	2496-2141	32,50(1,280)	35,00(1,378)
15	2496-2151	35,00(1,378)	37,50(1,476)
16	2496-2161	37,50(1,476)	40,00(1,575)
17	2496-2171	40,00(1,575)	42,50(1,673)
18	2496-2181	42,50(1,673)	45,00(1,772)
19	2496-2191	45,00(1,772)	47,50(1,870)
20	2496-2201	47,50(1,870)	50,00(1,969)
21	2496-2211	50,00(1,969)	52,50(2,067)
22	2496-2221	52,50(2,067)	55,00(2,165)
23	2496-2231	55,00(2,165)	57,50(2,264)
24	2496-2241	57,50(2,264)	60,00(2,362)
25	2496-2251	60,00(2,362)	62,50(2,461)