

CRIMP TERMINAL

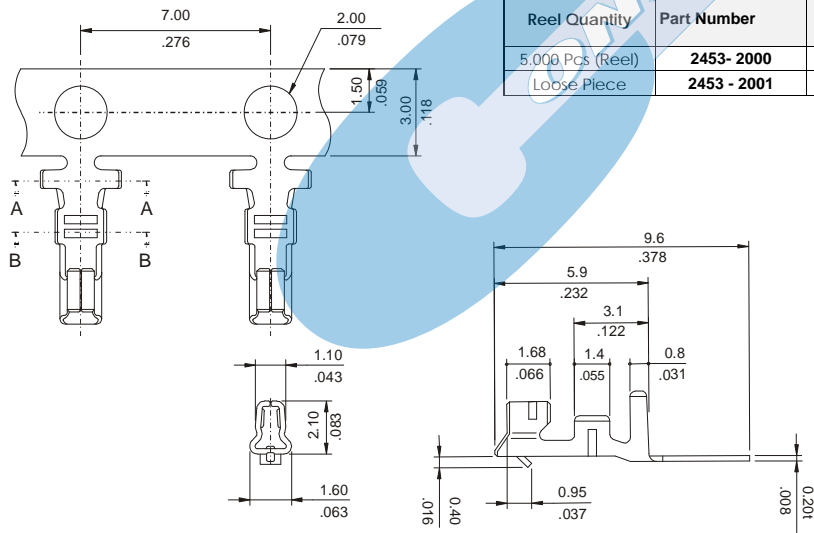


2453 SERIES. 2.50mm. Crimp Terminal

Features

- Used in 2420 series socket
- Accommodates wire ranges AWG 22-24
- Material: Phosphor bronze
- Mates with 0.64mm(0.025") round or square pin
- Plating: Tin plated
- Insulation Diameter: 1.60mm(0.063") Maximum

Dimensional Information



Ordering and Dimensional Information

Reel Quantity	Part Number	Material	Wire Ranges	Insulation Diameter
5,000 Pcs (Reel)	2453- 2000	Phosphor bronze	AWG 22 - 24	1.60 (0.063) Max.
Loose Piece	2453 - 2001	Phosphor bronze	AWG 22 - 24	1.60 (0.063) Max.

