

OPEN TOP LOW PROFILE JUMPER

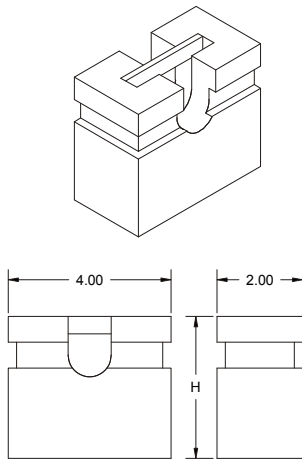


3051 / 3052 SERIES. 2.00mm(0.079").

Features

- Insulator Material: Glass filled polyester UL 94V-0
- Contact Material: Phosphor bronze
- Different plating options are available
- Mates with 0.50mm(0.020") square pin

Dimensional Information



Ordering and Dimensional Information

Part Number		Finish
H = 3.50	H = 5.0	
3051 - 3020	3052 - 3020	Flash de oro sobre 1.27 μ de Ni
3051 - 5020	3052 - 5020	0.38 μ de oro sobre 1.27 μ de Ni.
3051 - 7020	3052 - 7020	1.27 μ de oro sobre 1.27 μ de Ni.

