

# 2.00mm DUAL ROW PCB SOCKET SMT

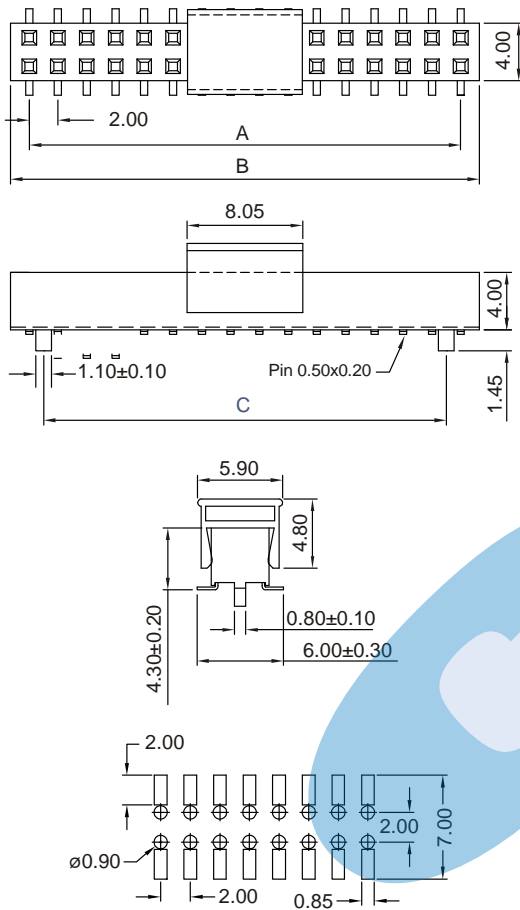


## 2184 SERIES. 2.00mm(0.079"). Bottom Entry. For PCB Solder

### Features

- Available in 6 through 80 circuits
- Material: Polyester UL 94V-0
- Mates with 2.00mm pitch and 0.50mm pin headers
- High quality dual beam phosphor bronze contacts
- Different plating options are available
- Optional: PCB locating pegs
- Bottom entry
- For other options consult the Sales Office

### Dimensional Information



RECOMMENDED HOLE PATTERN

### Ordering and Dimensional Information

Circuit Size	Part Number		Dimensions		
	Without Post	With Post	A	B	C
06	2184-T061E	2184-T062E	4,00(0,157)	6,60(0,260)	2,00(0,079)
08	2184-T081E	2184-T082E	6,00(0,236)	8,60(0,339)	4,00(0,157)
10	2184-T101E	2184-T102E	8,00(0,315)	10,60(0,417)	6,00(0,236)
12	2184-T121E	2184-T122E	10,00(0,394)	12,60(0,496)	8,00(0,315)
14	2184-T141E	2184-T142E	12,00(0,472)	14,60(0,575)	10,00(0,394)
16	2184-T161E	2184-T162E	14,00(0,551)	16,60(0,654)	12,00(0,472)
18	2184-T181E	2184-T182E	16,00(0,630)	18,60(0,732)	14,00(0,551)
20	2184-T201E	2184-T202E	18,00(0,709)	20,60(0,811)	16,00(0,630)
22	2184-T221E	2184-T222E	20,00(0,787)	22,60(0,890)	18,00(0,709)
24	2184-T241E	2184-T242E	22,00(0,866)	24,60(0,969)	20,00(0,787)
26	2184-T261E	2184-T262E	24,00(0,945)	26,60(1,047)	22,00(0,866)
28	2184-T281E	2184-T282E	26,00(1,024)	28,60(1,126)	24,00(0,945)
30	2184-T301E	2184-T302E	28,00(1,102)	30,60(1,205)	26,00(1,024)
32	2184-T321E	2184-T322E	30,00(1,181)	32,60(1,283)	28,00(1,102)
34	2184-T341E	2184-T342E	32,00(1,260)	34,60(1,362)	30,00(1,181)
36	2184-T361E	2184-T362E	34,00(1,339)	36,60(1,441)	32,00(1,260)
38	2184-T381E	2184-T382E	36,00(1,417)	38,60(1,520)	34,00(1,339)
40	2184-T401E	2184-T402E	38,00(1,496)	40,60(1,598)	36,00(1,417)
42	2184-T421E	2184-T422E	40,00(1,575)	42,60(1,677)	38,00(1,496)
44	2184-T441E	2184-T442E	42,00(1,654)	44,60(1,756)	40,00(1,575)
46	2184-T461E	2184-T462E	44,00(1,732)	46,60(1,835)	42,00(1,654)
48	2184-T481E	2184-T482E	46,00(1,811)	48,60(1,913)	44,00(1,732)
50	2184-T501E	2184-T502E	48,00(1,890)	50,60(1,992)	46,00(1,811)
52	2184-T521E	2184-T522E	50,00(1,969)	52,60(2,071)	48,00(1,890)
54	2184-T541E	2184-T542E	52,00(2,047)	54,60(2,150)	50,00(1,969)
56	2184-T561E	2184-T562E	54,00(2,126)	56,60(2,228)	52,00(2,047)
58	2184-T581E	2184-T582E	56,00(2,205)	58,60(2,307)	54,00(2,126)
60	2184-T601E	2184-T602E	58,00(2,283)	60,60(2,386)	56,00(2,205)
62	2184-T621E	2184-T622E	60,00(2,362)	62,60(2,465)	58,00(2,283)
64	2184-T641E	2184-T642E	62,00(2,441)	64,60(2,543)	60,00(2,362)
66	2184-T661E	2184-T662E	64,00(2,520)	66,60(2,622)	62,00(2,441)
68	2184-T681E	2184-T682E	66,00(2,598)	68,60(2,701)	64,00(2,520)
70	2184-T701E	2184-T702E	68,00(2,677)	70,60(2,780)	66,00(2,598)
72	2184-T721E	2184-T722E	70,00(2,756)	72,60(2,858)	68,00(2,677)
74	2184-T741E	2184-T742E	72,00(2,835)	74,60(2,937)	70,00(2,756)
76	2184-T761E	2184-T762E	74,00(2,913)	76,60(3,016)	72,00(2,835)
78	2184-T781E	2184-T782E	76,00(2,992)	78,60(3,094)	74,00(2,913)
80	2184-T801E	2184-T802E	78,00(3,071)	80,60(3,173)	76,00(2,992)

### T = Contact Plating

- T = 2. Tin plated
- T = 3. Gold flash over 50µ" nickel.  
Recommended Finish
- T = 5. 15µ" gold over 50µ" nickel
- T = 6. 30µ" gold over 50µ" nickel
- T = 13. Selective gold flash over 50µ" nickel
- T = 15. 15µ" selective gold over 50µ" nickel
- T = 16. 30µ" selective gold over 50µ" nickel

### E = Packing Options

- E = 3. Tube + Film
- E = 4. Reel + Film
- E = 5. Tube + Metallic Pad
- E = 6. Reel + Metallic Pad