

# 2.00mm STRAIGHT SHROUDED HEADER

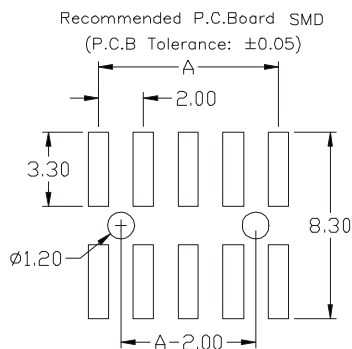
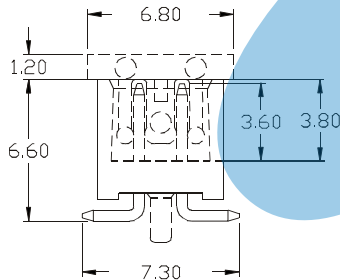
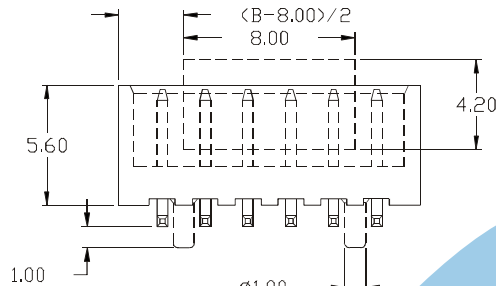
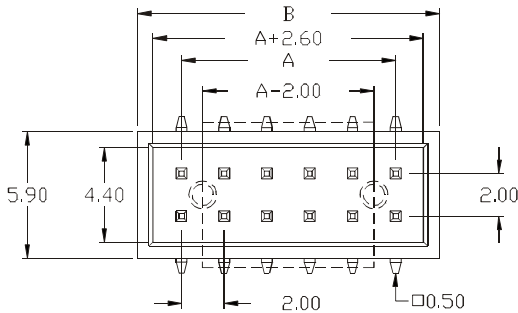


## 2104 SERIES. 2.00 x 2.00mm(0.079 x 0.079"). Low Profile. For PCB Solder

### Features

- Available in 8 through 64 circuits
- Insulator Material : Glass filled Polyester UL 94V-0
- Low profile. Fully shrouded
- 0.50mm square pin. Different plating options are available
- Mates with dual row 2.00 x 2.00 mm. socket
- Optional: locating Pegs

### Dimensional Information



### Ordering and Dimensional Information

Circuit Size	Part Number		Dimensions	
	W/O Loc. pegs	With Loc. pegs	A	B
08	2104-T081E	2104-T082E	6,00(0,236)	10,10(0,397)
10	2104-T101E	2104-T102E	8,00(0,315)	12,10(0,476)
12	2104-T121E	2104-T122E	10,00(0,394)	14,10(0,554)
14	2104-T141E	2104-T142E	12,00(0,472)	16,10(0,634)
16	2104-T161E	2104-T162E	14,00(0,551)	18,10(0,713)
18	2104-T181E	2104-T182E	16,00(0,630)	20,10(0,791)
20	2104-T201E	2104-T202E	18,00(0,709)	22,10(0,870)
22	2104-T221E	2104-T222E	20,00(0,787)	24,10(0,949)
24	2104-T241E	2104-T242E	22,00(0,866)	26,10(1,028)
26	2104-T261E	2104-T262E	24,00(0,945)	28,10(1,106)
28	2104-T281E	2104-T282E	26,00(1,024)	30,10(1,185)
30	2104-T301E	2104-T302E	28,00(1,102)	32,10(1,264)
32	2104-T321E	2104-T322E	30,00(1,181)	34,10(1,343)
34	2104-T341E	2104-T342E	32,00(1,260)	36,10(1,421)
36	2104-T361E	2104-T362E	34,00(1,339)	38,10(1,500)
38	2104-T381E	2104-T382E	36,00(1,417)	40,10(1,579)
40	2104-T401E	2104-T402E	38,00(1,496)	42,10(1,658)
42	2104-T421E	2104-T422E	40,00(1,575)	44,10(1,736)
44	2104-T441E	2104-T442E	42,00(1,654)	46,10(1,815)
46	2104-T461E	2104-T462E	44,00(1,732)	48,10(1,894)
48	2104-T481E	2104-T482E	46,00(1,811)	50,10(1,973)
50	2104-T501E	2104-T502E	48,00(1,890)	52,10(2,051)
52	2104-T521E	2104-T522E	50,00(1,969)	54,10(2,130)
54	2104-T541E	2104-T542E	52,00(2,047)	56,10(2,209)
56	2104-T561E	2104-T562E	54,00(2,126)	58,10(2,287)
58	2104-T581E	2104-T582E	56,00(2,205)	60,10(2,366)
60	2104-T601E	2104-T602E	58,00(2,283)	62,10(2,445)
62	2104-T621E	2104-T622E	60,00(2,362)	64,10(2,524)
64	2104-T641E	2104-T642E	62,00(2,441)	66,10(2,602)

### T = Contact Plating

- T = 2. Tin plated
- T = 3. Gold flash over 50 $\mu$ " nickel  
Recommended Finish
- T = 5. 15 $\mu$ " gold over 50 $\mu$ " nickel
- T = 6. 30 $\mu$ " gold over 50 $\mu$ " nickel

### E = Packing Options

- E = 1. Pad + Tube
- E = 2. Pad + Reel