

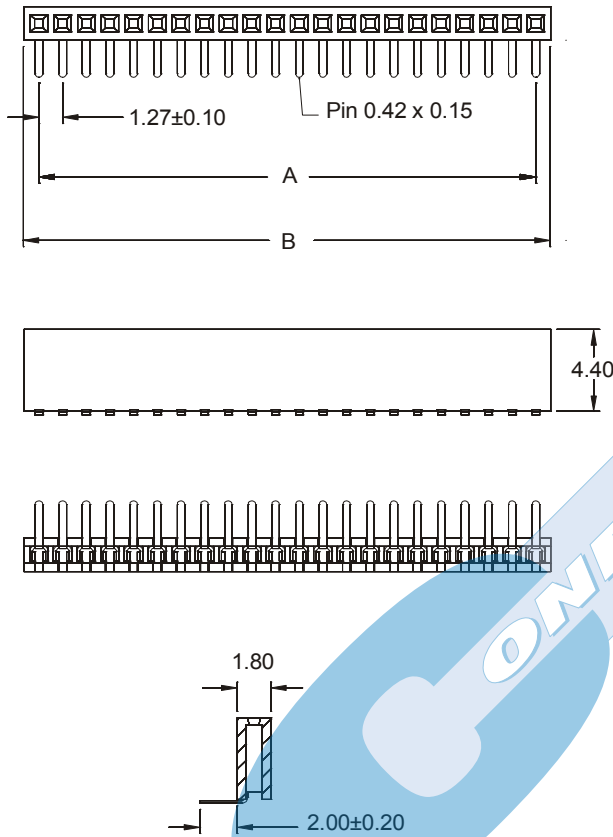
RIGHT ANGLE FEMALE HEADER



1378 SERIES. 1.27 mm. (0.050"). For PCB Solder

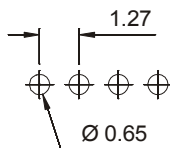
Features

- Available in 2 through 40 circuits
- Insulator material: nylon 6T UL 94V-0
- Mates with 0.40 mm square pin or round pin header of 0.40mm of diameter
- Phosphor bronze terminal with different plating
- Length over PCB 1.80 mm.
- High reliability contact



Circuit Size	Part Number	Dimensions	
		A	B
02	1378-T021	1,27(0,050)	2,89(0,114)
03	1378-T031	2,54(0,100)	5,43(0,214)
04	1378-T041	3,81(0,150)	7,97(0,314)
05	1378-T051	5,08(0,200)	10,51(0,414)
06	1378-T061	6,35(0,250)	13,05(0,514)
07	1378-T071	7,62(0,300)	15,59(0,614)
08	1378-T081	8,89(0,350)	18,13(0,714)
09	1378-T091	10,16(0,400)	20,67(0,814)
10	1378-T101	11,43(0,450)	23,21(0,914)
11	1378-T111	12,70(0,500)	25,75(1,014)
12	1378-T121	13,97(0,550)	28,29(1,114)
13	1378-T131	15,24(0,600)	30,83(1,214)
14	1378-T141	16,51(0,650)	33,37(1,314)
15	1378-T151	17,78(0,700)	35,91(1,414)
16	1378-T161	19,05(0,750)	38,45(1,514)
17	1378-T171	20,32(0,800)	40,99(1,614)
18	1378-T181	21,59(0,850)	43,53(1,714)
19	1378-T191	22,86(0,900)	46,07(1,814)
20	1378-T201	24,13(0,950)	48,61(1,914)
21	1378-T211	25,40(1,000)	51,15(2,014)
22	1378-T221	26,67(1,050)	53,69(2,114)
23	1378-T231	27,94(1,100)	56,23(2,214)
24	1378-T241	29,21(1,150)	58,77(2,314)
25	1378-T251	30,48(1,200)	61,31(2,414)
26	1378-T261	31,75(1,250)	63,85(2,514)
27	1378-T271	33,02(1,300)	66,39(2,614)
28	1378-T281	34,29(1,350)	68,93(2,714)
29	1378-T291	35,56(1,400)	71,47(2,814)
30	1378-T301	36,83(1,450)	74,01(2,914)
31	1378-T311	38,10(1,500)	76,55(3,014)
32	1378-T321	39,37(1,550)	79,09(3,114)
33	1378-T331	40,64(1,600)	81,63(3,214)
34	1378-T341	41,91(1,650)	84,17(3,314)
35	1378-T351	43,18(1,700)	86,71(3,414)
36	1378-T361	44,45(1,750)	89,25(3,514)
37	1378-T371	45,72(1,800)	91,79(3,614)
38	1378-T381	46,99(1,850)	94,33(3,714)
39	1378-T391	48,26(1,900)	96,87(3,814)
40	1378-T401	49,53(1,950)	99,41(3,914)

MECANIZADO RECOMENDADO



T = Contact Plating

- T = 2. Tin-plated.
- T = 3. Gold flash over 1.27 μ Ni.
- T = 5. 0.38 μ Gold over 1.27 μ Ni.
- T = 6. 0.75 μ Gold over 1.27 μ Ni.

RECOMMENDED FINISH