

1.27mm DUAL ROW SMT FEMALE HEADER

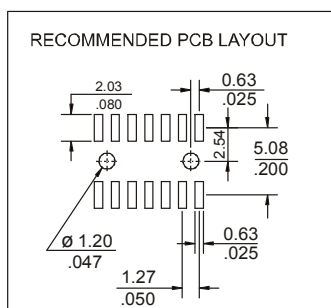
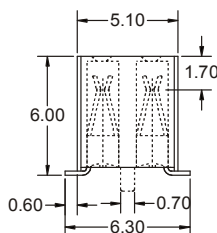
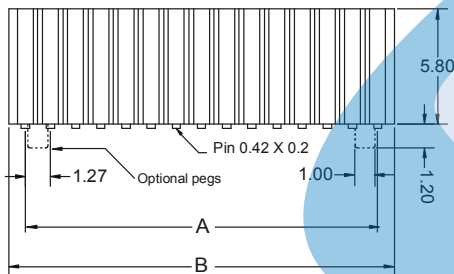
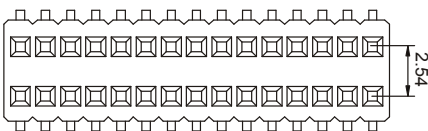
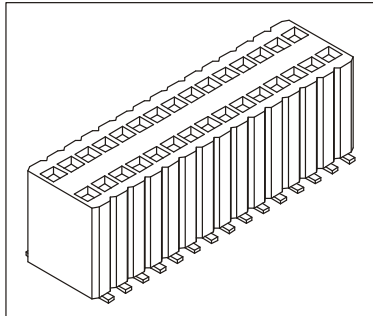


1287 SERIES. 1.27 x 2.54mm(0.050 x 0.100").SMT

Features

- Available in 6 through 80 circuits
- Mates with 1.27 X 2.54mm dual row housing and socket
0.46mm square or round pin
- Insulator Material: Nylon 6-T UL 94V-0
- Contact Material: Phosphor bronze
- Low profile (6.00mm) and High density is suitable for devices which require small and light internal parts
- High reliability contact structure provides normal insertion force after repeated cycles
- For other options consult the Sales Office

Dimensional Information



Ordering and Dimensional Information

Circuit Size	Part Number		Dimensions	
	Without pegs	With pegs	A	B
06	1287-T061E	1287-T062E	2.54(0.100)	4.21(0.166)
08	1287-T081E	1287-T082E	3.81(0.150)	5.48(0.216)
10	1287-T101E	1287-T102E	5.08(0.200)	6.75(0.266)
12	1287-T121E	1287-T122E	6.35(0.250)	8.02(0.316)
14	1287-T141E	1287-T142E	7.62(0.300)	9.29(0.366)
16	1287-T161E	1287-T162E	8.89(0.350)	10.56(0.416)
18	1287-T181E	1287-T182E	10.16(0.400)	11.83(0.466)
20	1287-T201E	1287-T202E	11.43(0.450)	13.10(0.516)
22	1287-T221E	1287-T222E	12.70(0.500)	14.37(0.566)
24	1287-T241E	1287-T242E	13.97(0.550)	15.64(0.616)
26	1287-T261E	1287-T262E	15.24(0.600)	16.91(0.666)
28	1287-T281E	1287-T282E	16.51(0.650)	18.18(0.716)
30	1287-T301E	1287-T302E	17.78(0.700)	19.45(0.766)
32	1287-T321E	1287-T322E	19.05(0.750)	20.72(0.816)
34	1287-T341E	1287-T342E	20.32(0.800)	21.99(0.866)
36	1287-T361E	1287-T362E	21.59(0.850)	23.26(0.916)
38	1287-T381E	1287-T382E	22.86(0.900)	24.53(0.966)
40	1287-T401E	1287-T402E	24.13(0.950)	25.80(1.016)
42	1287-T421E	1287-T422E	25.40(1.000)	27.07(1.066)
44	1287-T441E	1287-T442E	26.67(1.050)	28.34(1.116)
46	1287-T461E	1287-T462E	27.94(1.100)	29.61(1.166)
48	1287-T481E	1287-T482E	29.21(1.150)	30.88(1.216)
50	1287-T501E	1287-T502E	30.48(1.200)	32.15(1.266)
52	1287-T521E	1287-T522E	31.75(1.250)	33.42(1.316)
54	1287-T541E	1287-T542E	33.02(1.300)	34.69(1.366)
56	1287-T561E	1287-T562E	34.29(1.350)	35.96(1.416)
58	1287-T581E	1287-T582E	35.56(1.400)	37.23(1.466)
60	1287-T601E	1287-T602E	36.83(1.450)	38.50(1.516)
62	1287-T621E	1287-T622E	38.10(1.500)	39.77(1.566)
64	1287-T641E	1287-T642E	39.37(1.550)	41.04(1.616)
66	1287-T661E	1287-T662E	40.64(1.600)	42.31(1.666)
68	1287-T681E	1287-T682E	41.91(1.650)	43.58(1.716)
70	1287-T701E	1287-T702E	43.18(1.700)	44.85(1.766)
72	1287-T721E	1287-T722E	44.45(1.750)	46.12(1.816)
74	1287-T741E	1287-T742E	45.72(1.800)	47.39(1.866)
76	1287-T761E	1287-T762E	46.99(1.850)	48.66(1.916)
78	1287-T781E	1287-T782E	48.26(1.900)	49.93(1.966)
80	1287-T801E	1287-T802E	49.53(1.950)	51.20(2.016)

T = Contact Plating

- T = 2. Tin plated
- T = 3. Gold flash over 50µ" nickel
Recommended Finish
- T = 5. 15µ" gold over 50µ" nickel
- T = 6. 30µ" gold over 50µ" nickel

E = Packing Options

- E = 1. Tube + Pad
- E = 2. Reel + Pad
- E = 5. Tube + Metallic Pad
- E = 6. Reel + Metallic Pad