

DUAL ROW SIDE ENTRY FEMALE HEADER

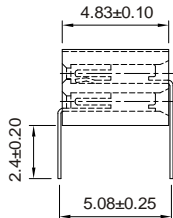
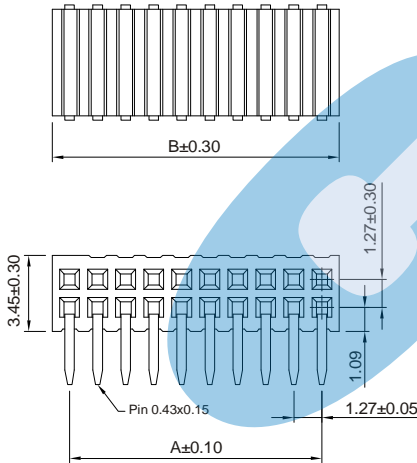
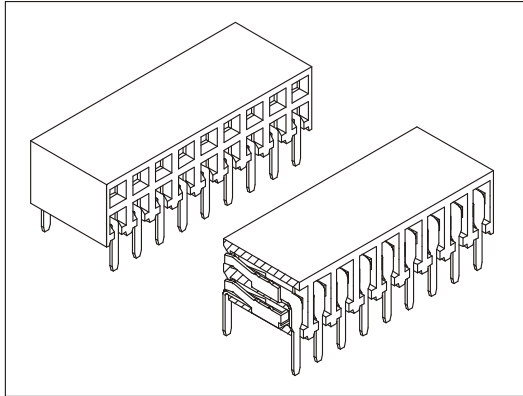


1284 SERIES 1.27 X 1.27mm(0.050" X 0.050").For PCB solder

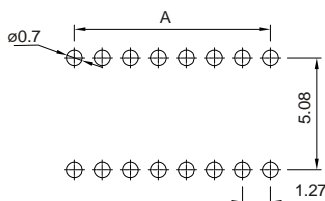
Features

- Available in 6 through 80 circuits
- Material : Polyester / Nylon 6-T UL 94V-0
- Mates with 1.27mm header and 0.40mm square pin
- Different plating options are available
- High quality dual beam phosphor bronze contacts

Dimensional information



RECOMMENDED HOLE PATTERN
(Tolerance ±0.10)



Ordering and dimensional information

Circuit Size	Part Number	Dimensions	
		A	B
06	1284-T061	2.54 (0.100)	4.11(0,162)
08	1284-T081	3.81(0,150)	5.38(0,212)
10	1284-T101	5.08(0,200)	6.65(0,262)
12	1284-T121	6.35(0,250)	7.92(0,312)
14	1284-T141	7.62(0,300)	9.19(0,362)
16	1284-T161	8.89(0,350)	10.46(0,412)
18	1284-T181	10.16(0,400)	11.73(0,462)
20	1284-T201	11.43(0,450)	13.00(0,512)
22	1284-T221	12.70(0,500)	14.27(0,562)
24	1284-T241	13.97(0,550)	15.54(0,612)
26	1284-T261	15.24(0,600)	16.81(0,662)
28	1284-T281	16.51(0,650)	18.08(0,712)
30	1284-T301	17.78(0,700)	19.35(0,762)
32	1284-T321	19.05(0,750)	20.62(0,812)
34	1284-T341	20.32(0,800)	21.89(0,862)
36	1284-T361	21.59(0,850)	23.16(0,912)
38	1284-T381	22.86(0,900)	24.43(0,962)
40	1284-T401	24.13(0,950)	25.70(1,012)
42	1284-T421	25.40(1,000)	26.97(1,062)
44	1284-T441	26.67(1,050)	28.24(1,112)
46	1284-T461	27.94(1,100)	29.51(1,162)
48	1284-T481	29.21(1,150)	30.78(1,212)
50	1284-T501	30.48(1,200)	32.05(1,262)
52	1284-T521	31.75(1,250)	33.32(1,312)
54	1284-T541	33.02(1,300)	34.59(1,362)
56	1284-T561	34.29(1,350)	35.86(1,412)
58	1284-T581	35.56(1,400)	37.13(1,462)
60	1284-T601	36.83(1,450)	38.40(1,512)
62	1284-T621	38.10(1,500)	39.67(1,562)
64	1284-T641	39.37(1,550)	40.94(1,612)
66	1284-T661	40.64(1,600)	42.21(1,662)
68	1284-T681	41.91(1,650)	43.48(1,712)
70	1284-T701	43.18(1,700)	44.75(1,762)
72	1284-T721	44.45(1,750)	46.02(1,812)
74	1284-T741	45.72(1,800)	47.29(1,862)
76	1284-T761	46.99(1,850)	48.56(1,912)
78	1284-T781	48.26(1,900)	49.83(1,962)
80	1284-T801	49.53(1,950)	51.10(2,012)

T = Contact Plating

- T = 2. Tin-plated.
- T = 3. Gold flash over 1.27 μ de Ni.
RECOMMENDED FINISH
- T = 5. 0.38 μ Gold over 1.27 μ de Ni.
- T = 6. 0.75 μ Gold over 1.27 μ de Ni.