

DUAL ROW STRAIGHT HEADER SMT



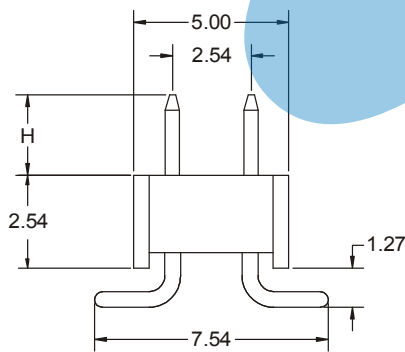
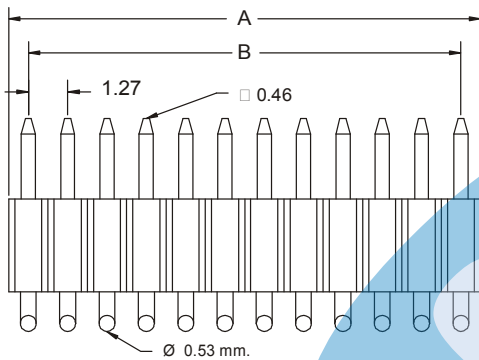
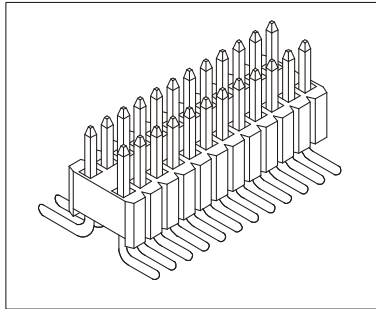
1282 SERIES. 1.27 x 2.54mm(0.050 x 0.100"). SMT

Features

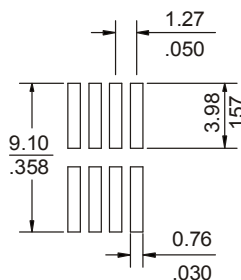
- Available in 6 through 80 circuits
- Mates with 1.27 x 2.54mm dual row housing and socket
- Insulator Material: Nylon 6-T UL94V-0
- Contact Material: Copper alloy
- Different plating options are available
- 0.46mm Square pin in contact area
- 0.53mm Round pin in solder area
- For other options consult the Sales Office

Dimensional Information

Ordering and Dimensional Information



RECOMMENDED PCB LAYOUT



Circuit Size	Part Number		Dimensions	
	H=2.8mm	H=6mm	A	B
06	1282-T061E	1282-T062E	2.54 (0.100)	3.81 (0.150)
08	1282-T081E	1282-T082E	3.81 (0.150)	5.08 (0.200)
10	1282-T101E	1282-T102E	5.08 (0.200)	6.35 (0.250)
12	1282-T121E	1282-T122E	6.35 (0.250)	7.62 (0.300)
14	1282-T141E	1282-T142E	7.62 (0.300)	8.89 (0.350)
16	1282-T161E	1282-T162E	8.89 (0.350)	10.16 (0.400)
18	1282-T181E	1282-T182E	10.16 (0.400)	11.43 (0.450)
20	1282-T201E	1282-T202E	11.43 (0.450)	12.70 (0.500)
22	1282-T221E	1282-T222E	12.70 (0.500)	13.97 (0.550)
24	1282-T241E	1282-T242E	13.97 (0.550)	15.24 (0.600)
26	1282-T261E	1282-T262E	15.24 (0.600)	16.51 (0.650)
28	1282-T281E	1282-T282E	16.51 (0.650)	17.78 (0.700)
30	1282-T301E	1282-T302E	17.78 (0.700)	19.05 (0.750)
32	1282-T321E	1282-T322E	19.05 (0.750)	20.32 (0.800)
34	1282-T341E	1282-T342E	20.32 (0.800)	21.59 (0.850)
36	1282-T361E	1282-T362E	21.59 (0.850)	22.86 (0.900)
38	1282-T381E	1282-T382E	22.86 (0.900)	24.13 (0.950)
40	1282-T401E	1282-T402E	24.13 (0.950)	25.40 (1.000)
42	1282-T421E	1282-T422E	25.40 (1.000)	26.67 (1.050)
44	1282-T441E	1282-T442E	26.67 (1.050)	27.94 (1.100)
46	1282-T461E	1282-T462E	27.94 (1.100)	29.21 (1.150)
48	1282-T481E	1282-T482E	29.21 (1.150)	30.48 (1.200)
50	1282-T501E	1282-T502E	30.48 (1.200)	31.75 (1.250)
52	1282-T521E	1282-T522E	31.75 (1.250)	33.02 (1.300)
54	1282-T541E	1282-T542E	33.02 (1.300)	34.29 (1.350)
56	1282-T561E	1282-T562E	34.29 (1.350)	35.56 (1.400)
58	1282-T581E	1282-T582E	35.56 (1.400)	36.83 (1.450)
60	1282-T601E	1282-T602E	36.83 (1.450)	38.10 (1.500)
62	1282-T621E	1282-T622E	38.10 (1.500)	39.37 (1.550)
64	1282-T641E	1282-T642E	39.37 (1.550)	40.64 (1.600)
66	1282-T661E	1282-T662E	40.64 (1.600)	41.91 (1.650)
68	1282-T681E	1282-T682E	41.91 (1.650)	43.18 (1.700)
70	1282-T701E	1282-T702E	43.18 (1.700)	44.45 (1.750)
72	1282-T721E	1282-T722E	44.45 (1.750)	45.72 (1.800)
74	1282-T741E	1282-T742E	45.72 (1.800)	46.99 (1.850)
76	1282-T761E	1282-T762E	46.99 (1.850)	48.26 (1.900)
78	1282-T781E	1282-T782E	48.26 (1.900)	49.53 (1.950)
80	1282-T801E	1282-T802E	49.53 (1.950)	50.80 (2.000)

T = Contact Plating

- T = 2. Tin plated
- T = 3. Gold flash over 50µ" nickel
Recommended Finish
- T = 5. 15µ" gold over 50µ" nickel
- T = 6. 30µ" gold over 50µ" nickel

E = Packing Options

- E = 1. Tube + Pad
- E = 2. Reel + Pad