

MALE COMPACT FLASH CONECTOR



5500 SERIES. 1.27 mm. (0.050"). For PCB solder

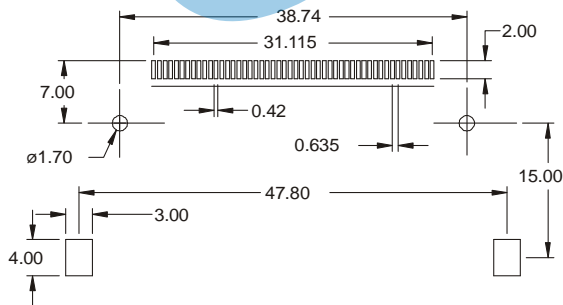
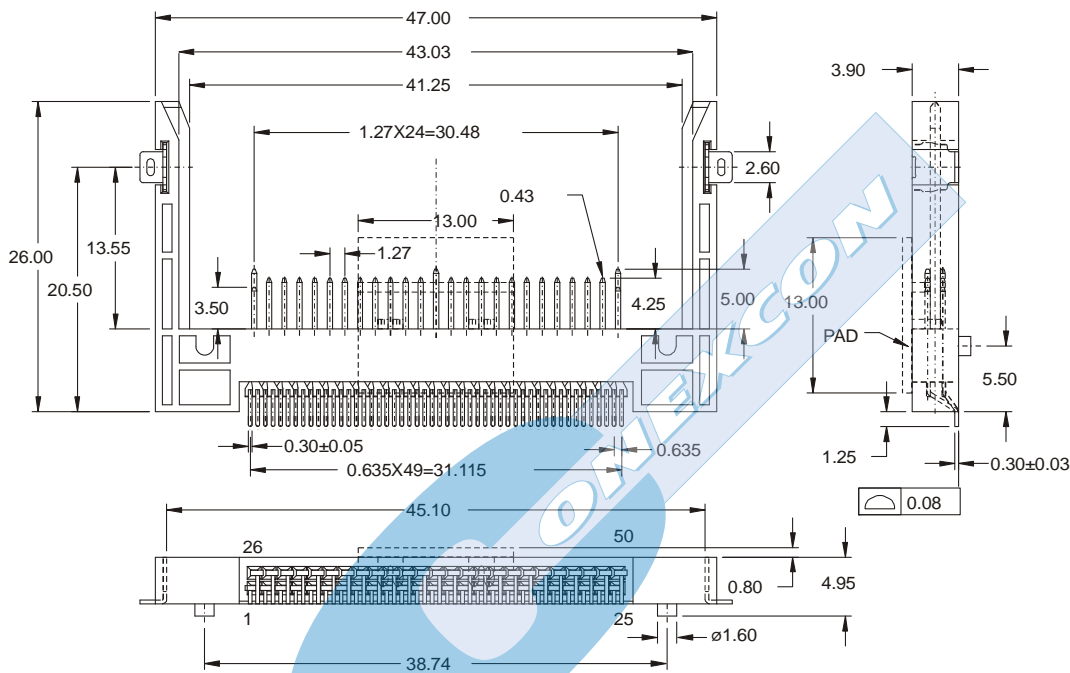
Features

- Available in 50 circuits
- Plating: 5μ" Gold on contact area and Tin plated in Solder area (lead free)
- Housing: LCP, UL 94V-0
- Voltage Current Rating: 0.5 A
- Insulation Resistance: 1.000 MΩ minimum
- Dielectric Withstanding Voltage: 500 Vrms

Dimensional Information

Ordering and Dimensional Information

SERIES: 5500 - 14500



RECOMMENDED PCB LAYOUT

Pin Dimension	
Pin Number	Dimension
25, 26	3.50 mm.
1, 13, 38, 50	5.00 mm
All other pins	4.25 mm.

