

# SCSI-III IDC FEMALE D-SUB



## 8601 SERIES. 1.27mm(0.050"). For Centre Flat Ribbon Cable

### Features

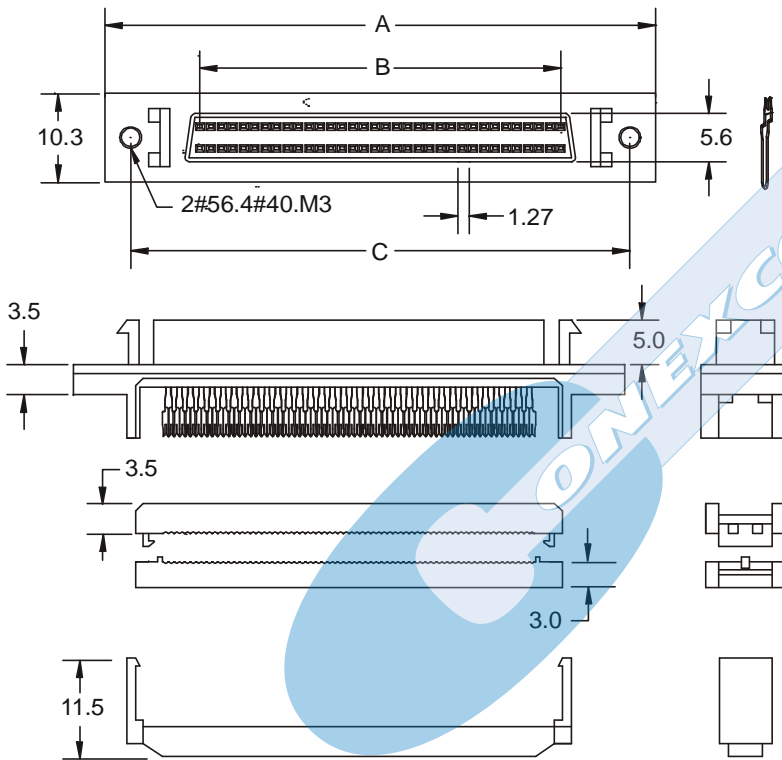
- Available in 50 and 68 circuits
- Insulator Material: P.B.T. UL 94V-0
- Contact Material: Phosphor bronze
- Different plating options are available
- For mounting in 9063 series ribbon cable
- For other options consult the sales office

### Dimensional Information

### Ordering and Dimensional Information

Circuit Size	Part Number		Dimensions		
	Plastic Type	Metal Type	A	B	C
50	8601 - T501	8601 - T502	52.60(2.070)	30.48(1.200)	46.50(1.830)
68	8601 - T681	8601 - T682	64.03(2.520)	41.91(1.650)	57.93(2.280)

### METAL TYPE



### T = Contact Plating

- T = 2. Tin plated
- T = 3. Gold flash over 50μ" nickel  
Recommended Finish
- T = 5. 15μ" gold over 50μ" nickel
- T = 6. 30μ" gold over 50μ" nickel

### PLASTIC TYPE

