

I.D.C TRANSITION DIP PLUG CONNECTOR



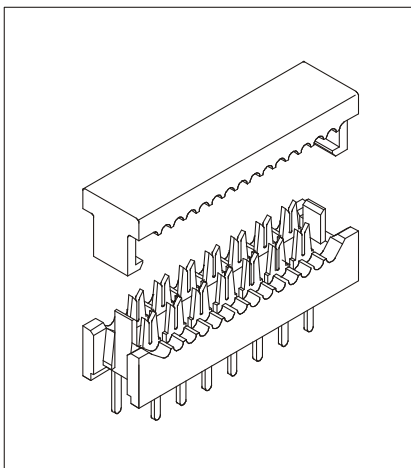
5445 SERIES. 2.54 x 2.54mm(0.100 x 0.100"). Centre Flat Cable

Features

- Available in 8, 10, 14, 16, 20, 24, 26, 34, 40, 50, 60 and 64 circuits
- Insulator Material: Polyester (UL 94V-0)
- Contact Material: Phosphor bronze
- Can be plugged into DIP socket or directly soldered on P.C.B.
- Different plating options are available
- Low profile (6mm after assembly)
- Mates with 9127 series 1.27mm flat ribbon cable

Dimensional Information

Ordering and Dimensional Information



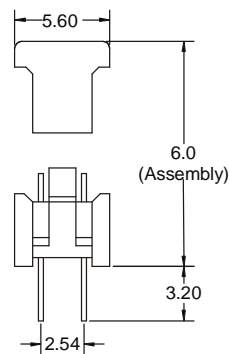
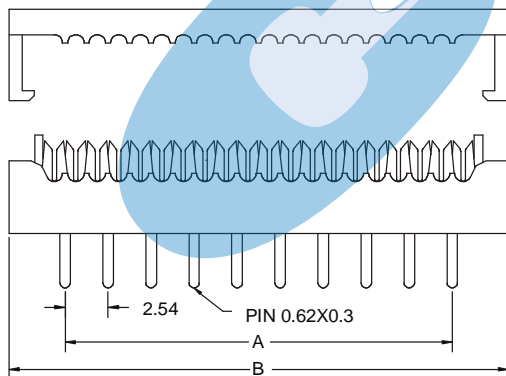
Circuit Size	Part Number	Dimensions	
		A	B
08	5445-T081	7,62(0,300)	14,26(4,500)
10	5445-T101	10,16(0,400)	16,80(4,600)
14	5445-T141	15,24(0,600)	21,88(4,800)
16	5445-T161	17,78(0,700)	24,42(4,900)
20	5445-T201	22,86(0,900)	29,50(5,100)
24	5445-T241	27,94(1,100)	34,58(5,300)
26	5445-T261	30,48(1,200)	37,12(5,400)
34	5445-T341	40,64(1,600)	47,28(5,800)
40	5445-T401	48,26(1,900)	54,90(6,100)
50	5445-T501	60,96(2,400)	67,60(6,600)
60	5445-T601	73,66(2,900)	80,30(7,100)
64	5445-T641	78,74(3,100)	85,38(7,300)

T = Contact Plating

- T = 2. Tin plated

Recommended Finish

- T = 3. Gold flash over 50µ" nickel
- T = 5. 15µ" gold over 50µ" nickel
- T = 6. 30µ" gold over 50µ" nickel



RECOMMENDED HOLE PATTERN

