

# 2.54mm DUAL ROW I.D.C. MALE CONNECTOR



## 5439 SERIES. 2.54mm(.100"). Box Header

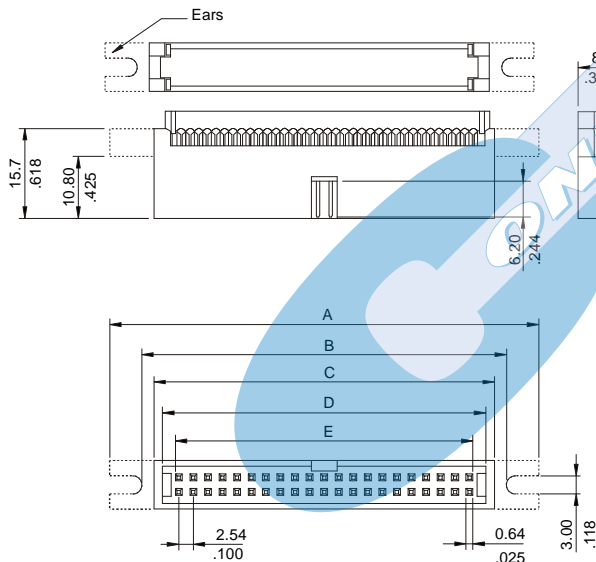
### Features

- Available in 10, 14, 16, 20, 24, 26, 30, 34, 40, 50, 60 and 64 circuits
- Insulator Material: Polyester UL 94V-0
- Contact Material: Phosphor bronze
- For 9127 series, 1.27mm flat ribbon cable
- Available with or without fixing ears

### Dimensional Information

### Ordering and Dimensional Information

Circuit Size	Part Number		Dimension				
	Without Ears	With Ears	A	B	C	D	E
10	5439-T101	5439-T102	36.84(1,450)	25.52(1,005)	21.24(0,836)	18.10(0,713)	10.16(0,400)
14	5439-T141	5439-T142	41.90(1,650)	30.58(1,204)	26.30(1,035)	23.24(0,915)	15.24(0,600)
16	5439-T161	5439-T162	44.40(1,748)	33.20(1,307)	28.86(1,136)	25.78(1,015)	17.78(0,700)
20	5439-T201	5439-T202	49.30(1,941)	38.04(1,498)	33.82(1,331)	30.86(1,215)	22.86(0,900)
24	5439-T241	5439-T242	54.64(2,151)	43.34(1,706)	39.12(1,540)	35.94(1,415)	27.94(1,100)
26	5439-T261	5439-T262	57.24(2,254)	45.92(1,808)	41.60(1,638)	38.50(1,516)	30.48(1,200)
30	5439-T301	5439-T302	62.32(2,454)	51.04(2,009)	46.70(1,839)	43.62(1,717)	35.56(1,400)
34	5439-T341	5439-T342	66.98(2,637)	55.70(2,193)	51.58(2,031)	48.60(1,913)	40.64(1,600)
40	5439-T401	5439-T402	75.02(2,954)	63.70(2,508)	59.50(2,343)	56.36(2,219)	48.26(1,900)
50	5439-T501	5439-T502	87.38(3,440)	76.10(2,996)	71.94(2,832)	68.90(2,713)	60.96(2,400)
60	5439-T601	5439-T602	100.52(3,957)	89.24(3,513)	84.94(3,344)	81.88(3,224)	73.86(2,908)
64	5439-T641	5439-T642	105.64(4,159)	94.32(3,713)	90.00(3,543)	86.90(3,421)	78.74(3,100)



### T = Contact Plating

- T = 2. Tin plated.
- T = 3. Gold flash over 50μ" nickel.  
Recommended Finish
- T = 5. 15μ" gold over 50μ" nickel
- T = 6. 30μ" gold over 50μ" nickel

