

FEMALE HEADER FOR FLAT CABLE

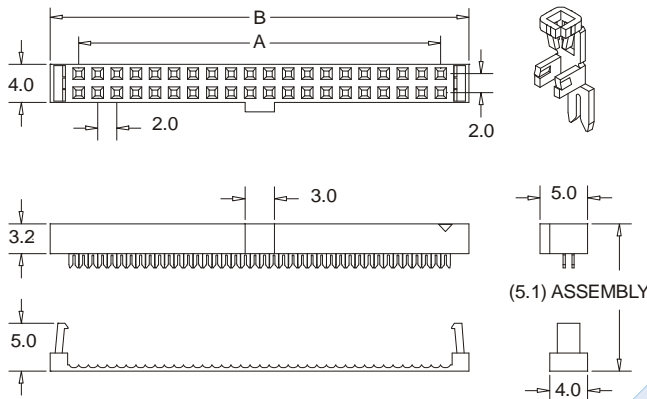


2051 SERIE. 2.00 x 2.00 mm. (0.079 x 0.079"). Insulator displacement

Features

- Available in 6, 8, 10, 12, 14, 16, 20, 22, 24, 26, 30, 34, 36, 40, 44 and 50 circuits
- Mates with 4431, 4432, 4433, 4436, 4437 y 4438 series
- Golden and phosphor bronze terminal
- Insulator material: PBT UL 94V-0
- Accepts 9100 serie 1.00 mm flat ribbon cable
- Standard model with polarisation pivot
- For other options consult the Sales Office

Dimensional information:



Ordering and dimensional information:

Circuit Size	Part Number	Dimensions	
		A	B
6	2051-T061	4.00(0.157)	9.96(0.392)
8	2051-T081	6.00(0.236)	11.96(0.471)
10	2051-T101	8.00(0.315)	13.96(0.550)
12	2051-T121	10.00(0.394)	15.96(0.628)
14	2051-T141	12.00(0.472)	17.96(0.707)
16	2051-T161	14.00(0.551)	19.96(0.786)
20	2051-T201	18.00(0.709)	23.96(0.943)
22	2051-T221	20.00(0.787)	25.96(1.022)
24	2051-T241	22.00(0.866)	27.96(1.100)
26	2051-T261	24.00(0.945)	29.96(1.180)
30	2051-T301	28.00(1.102)	33.96(1.337)
34	2051-T341	32.00(1.260)	37.96(1.494)
36	2051-T361	34.00(1.338)	39.96(1.573)
40	2051-T401	38.00(1.496)	43.96(1.731)
44	2051-T441	42.00(1.654)	47.96(1.888)
50	2051-T501	48.00(1.890)	53.96(2.124)

T = Contact Plating

- T = 2. Tin plated
- T = 3. Gold flash over 50µ" nickel.
Recommended Finish
- T = 5. 15µ" gold over 50µ" nickel
- T = 6. 30µ" gold over 50µ" nickel

